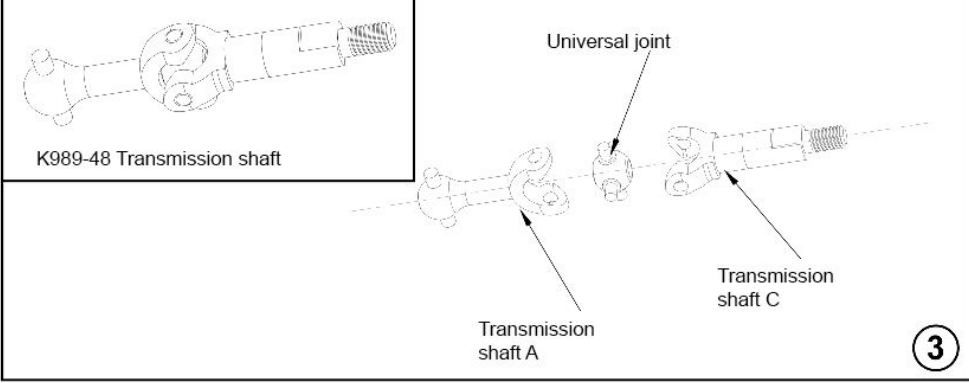
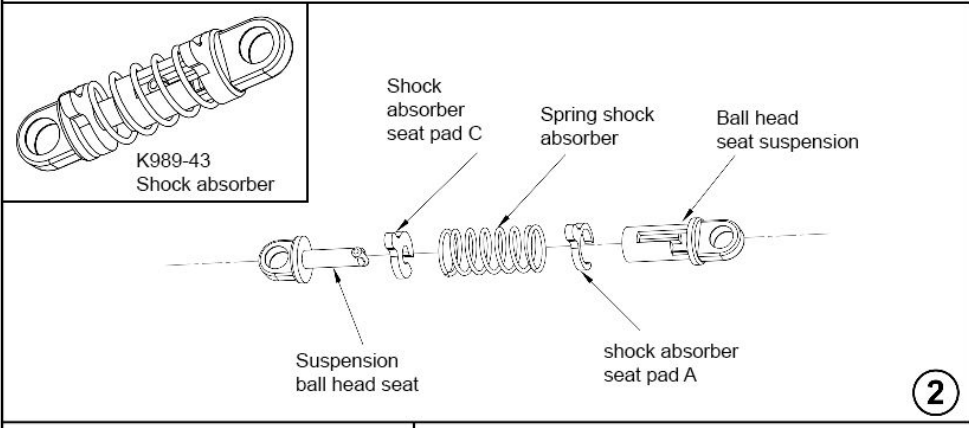
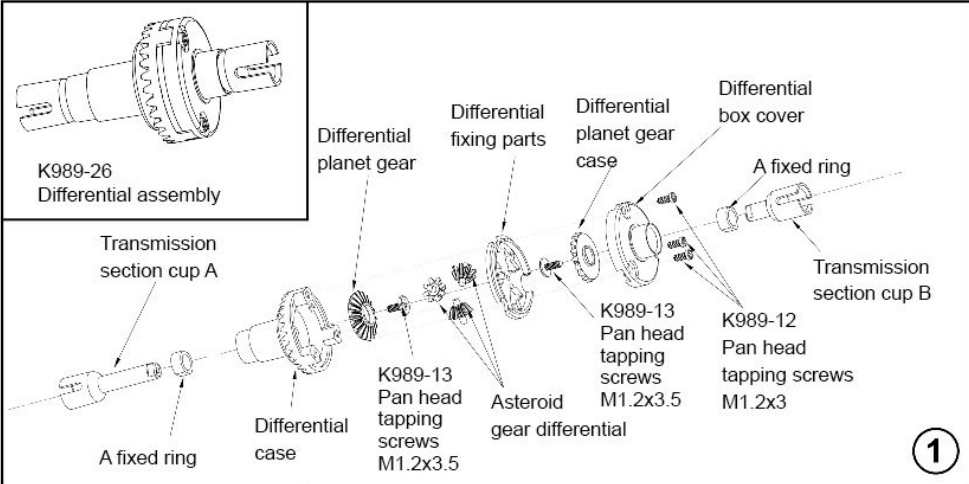
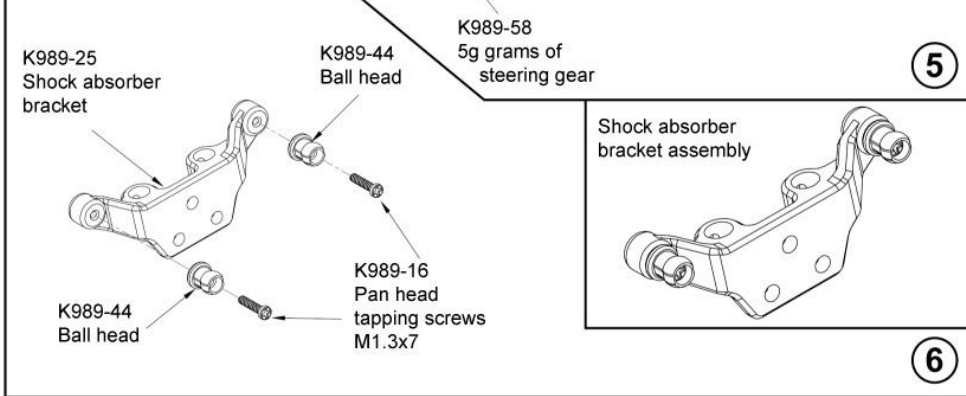
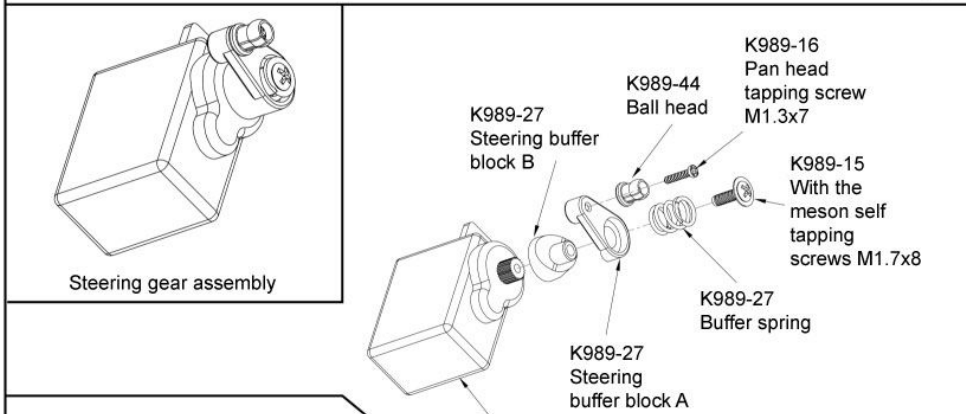
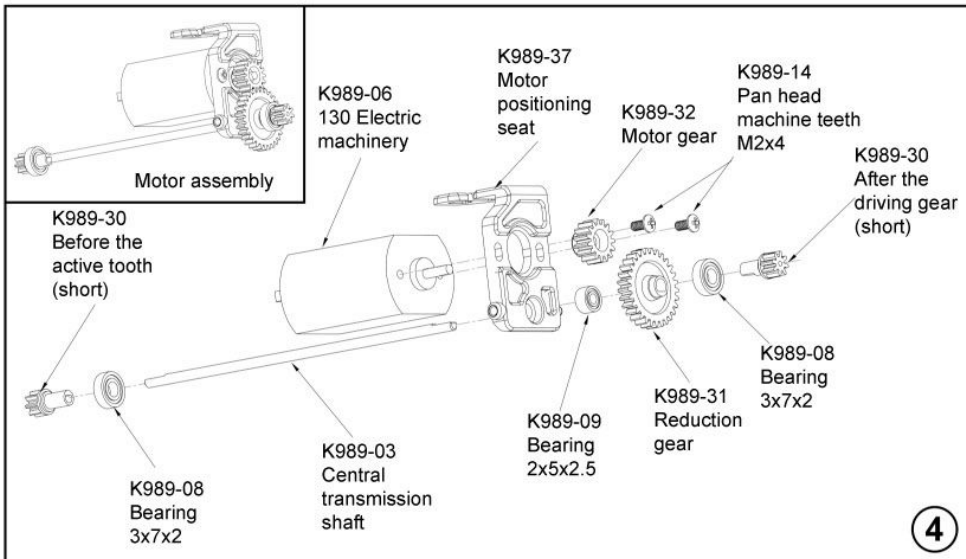
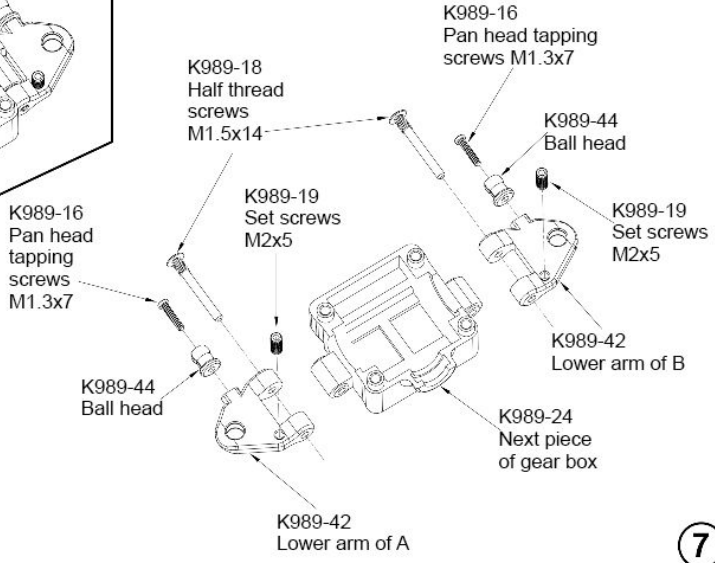
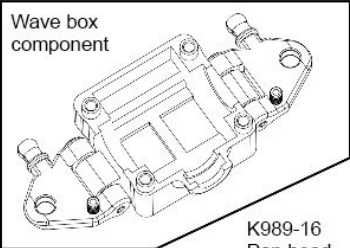


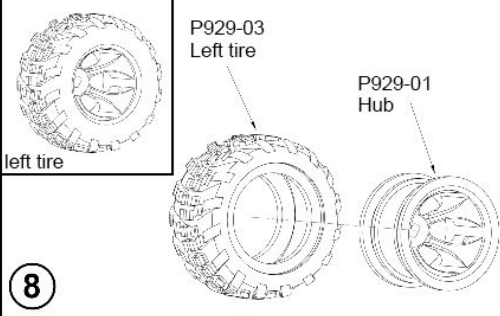
Assembly Exploded Diagram



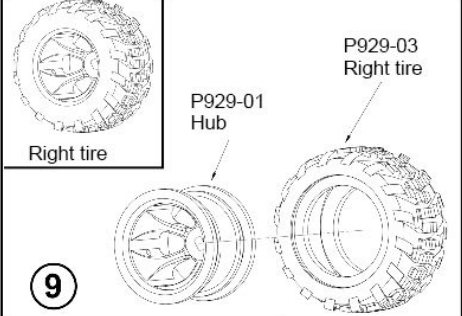




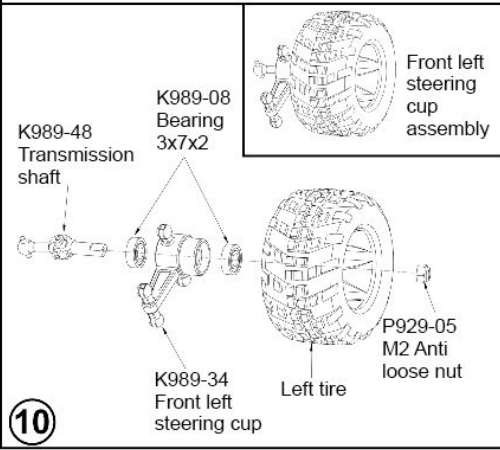
7



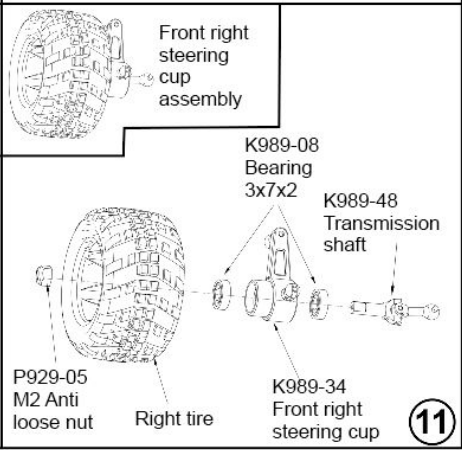
8



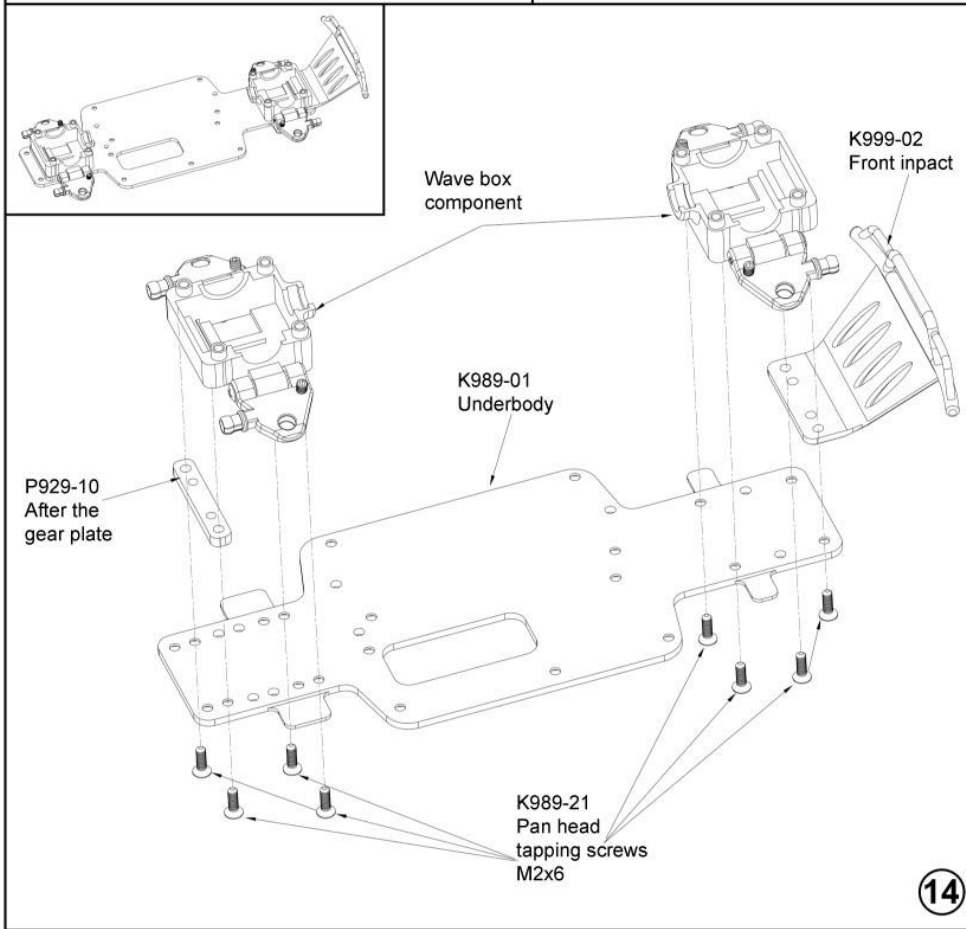
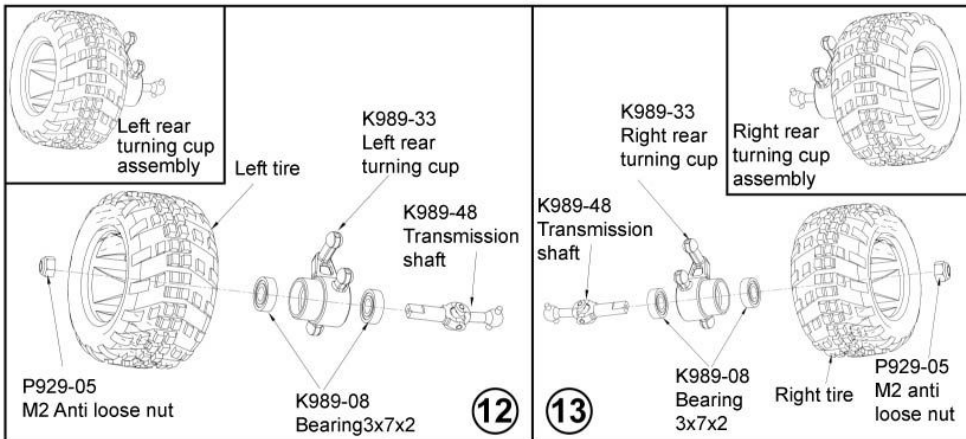
9

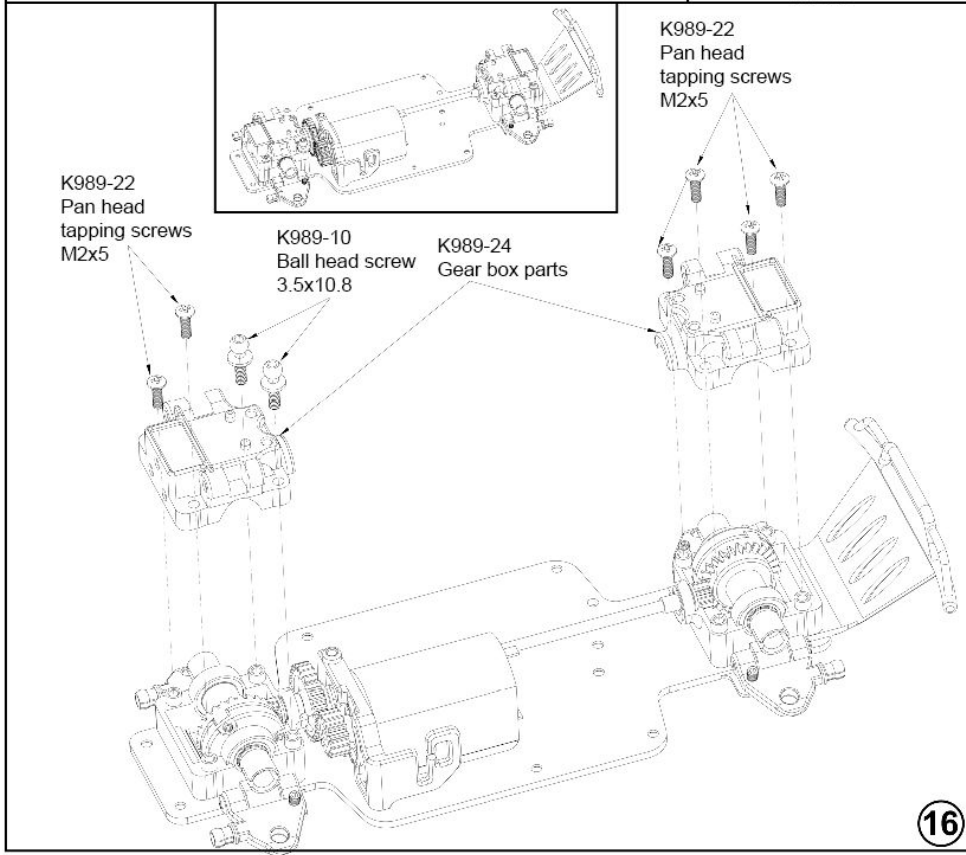
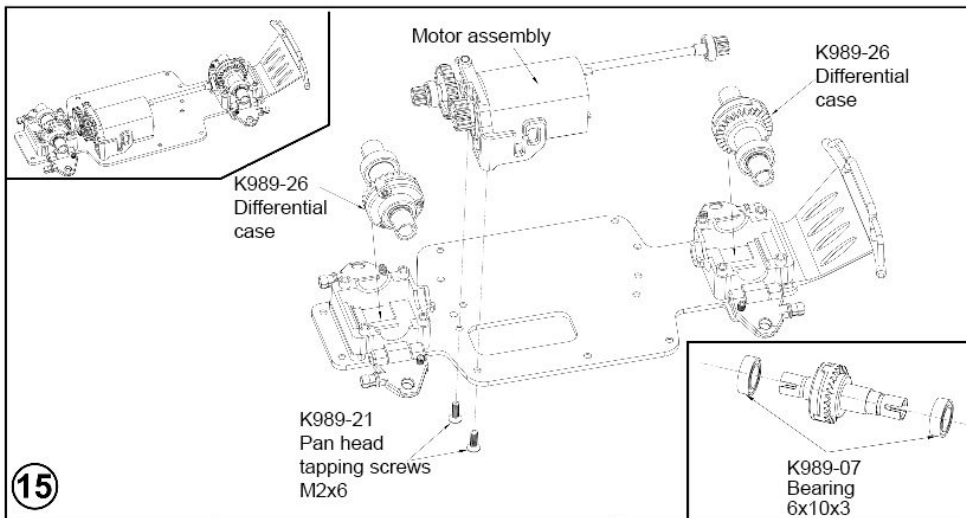


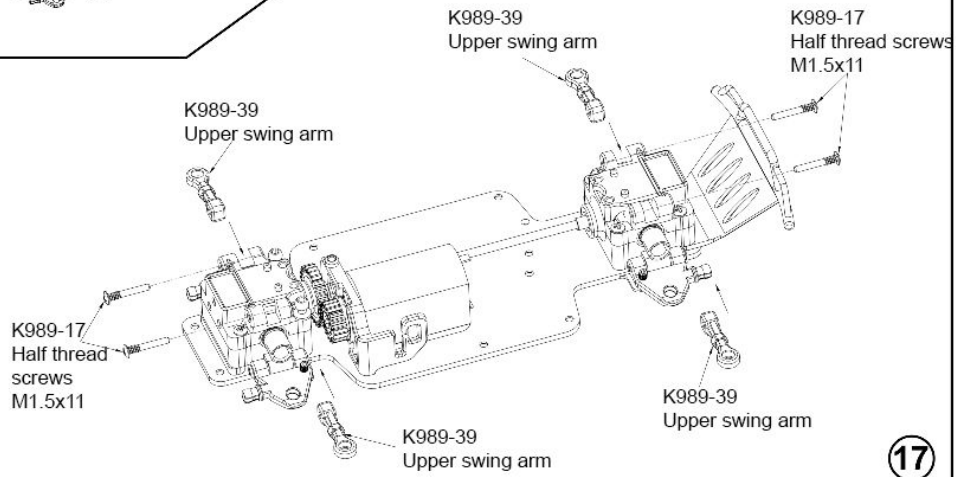
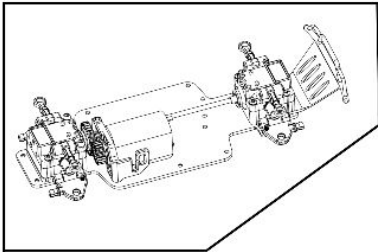
10



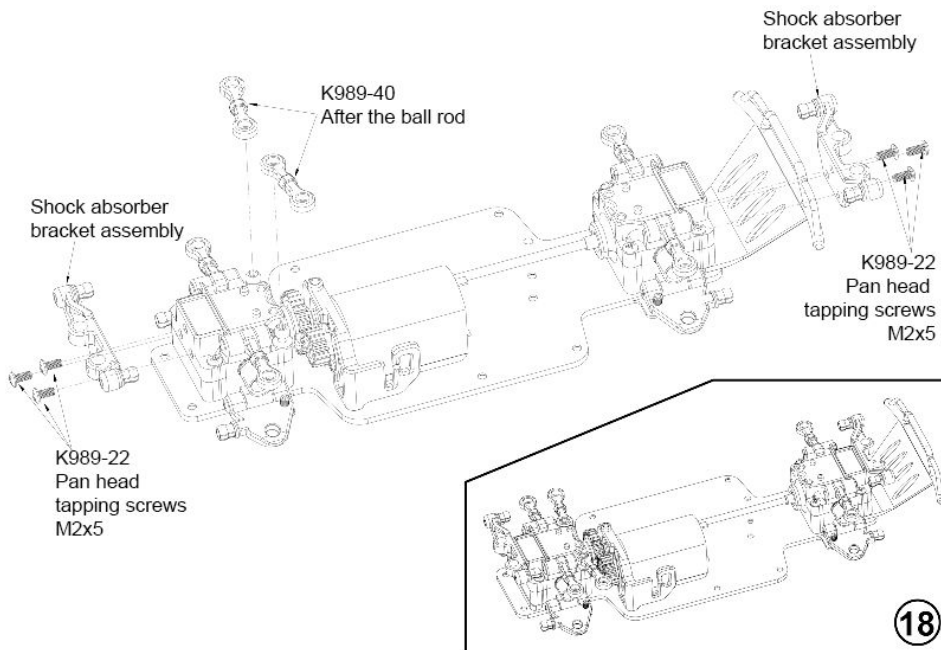
11



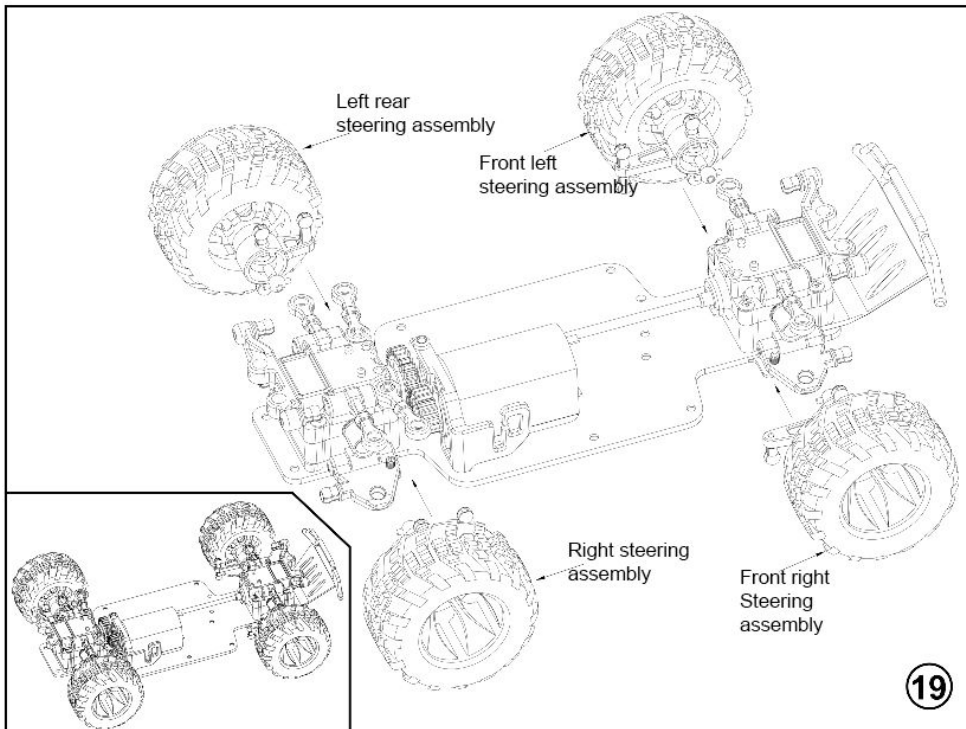




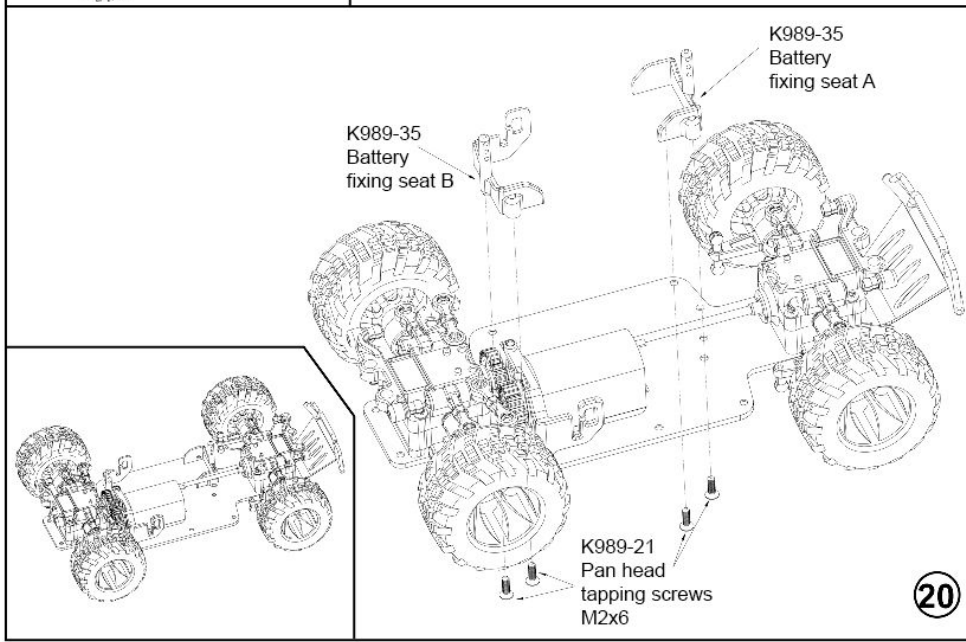
17



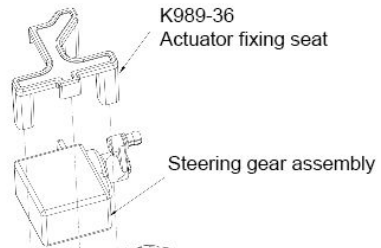
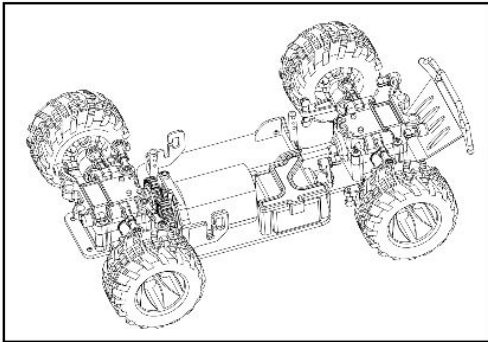
18



19

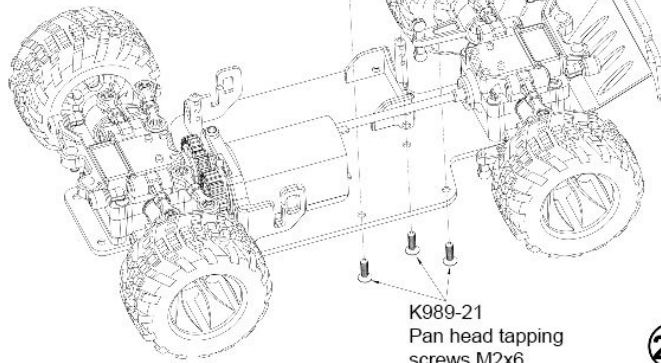


20



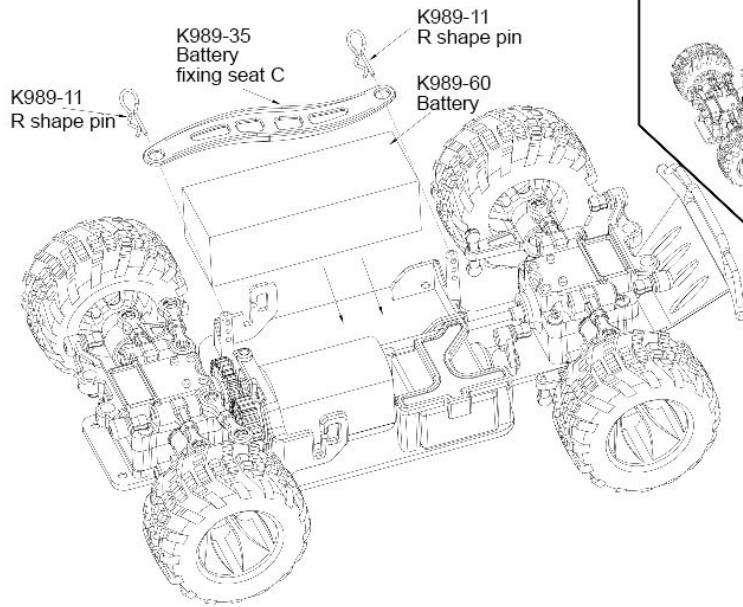
K989-36
Actuator fixing seat

Steering gear assembly



K989-21
Pan head tapping
screws M2x6

21

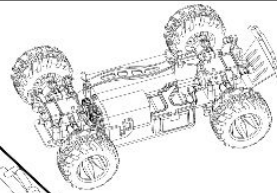


K989-11
R shape pin

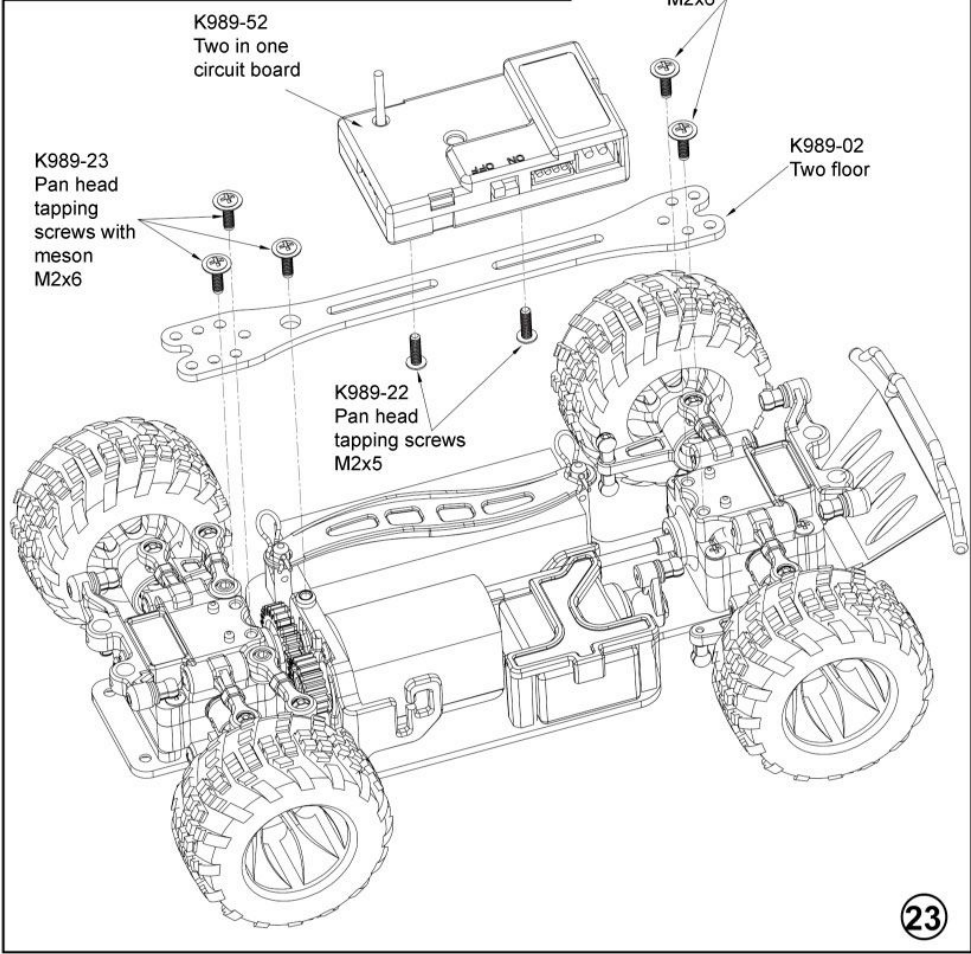
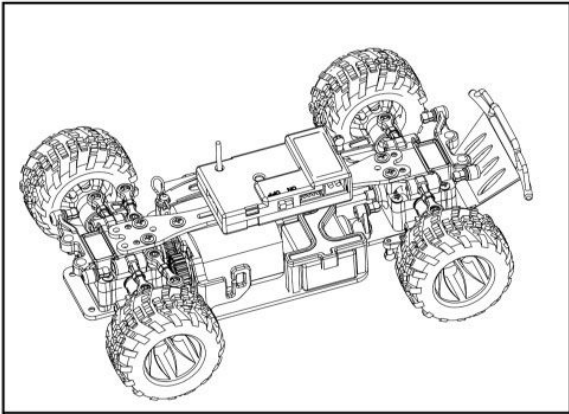
K989-35
Battery
fixing seat C

K989-11
R shape pin

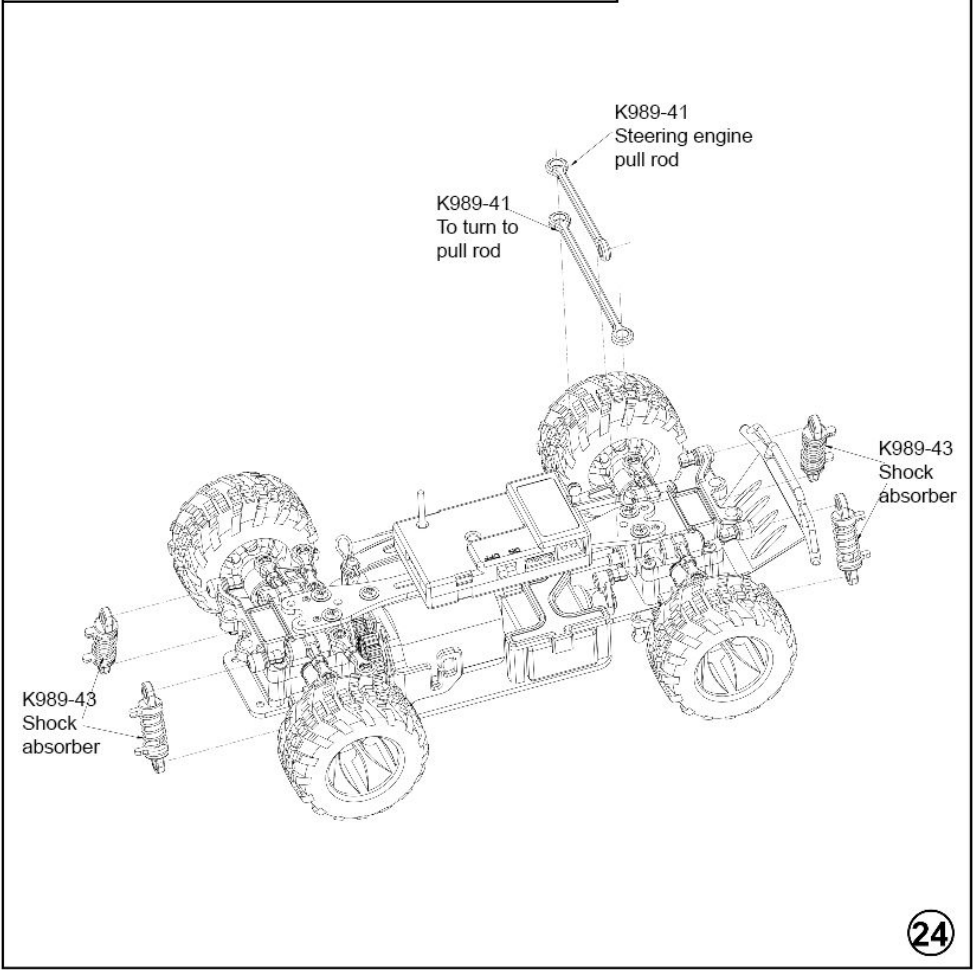
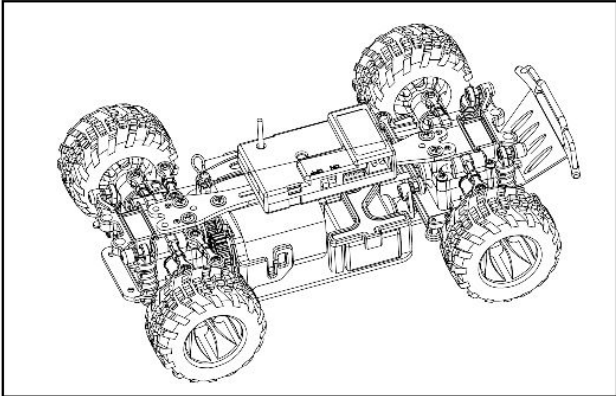
K989-60
Battery

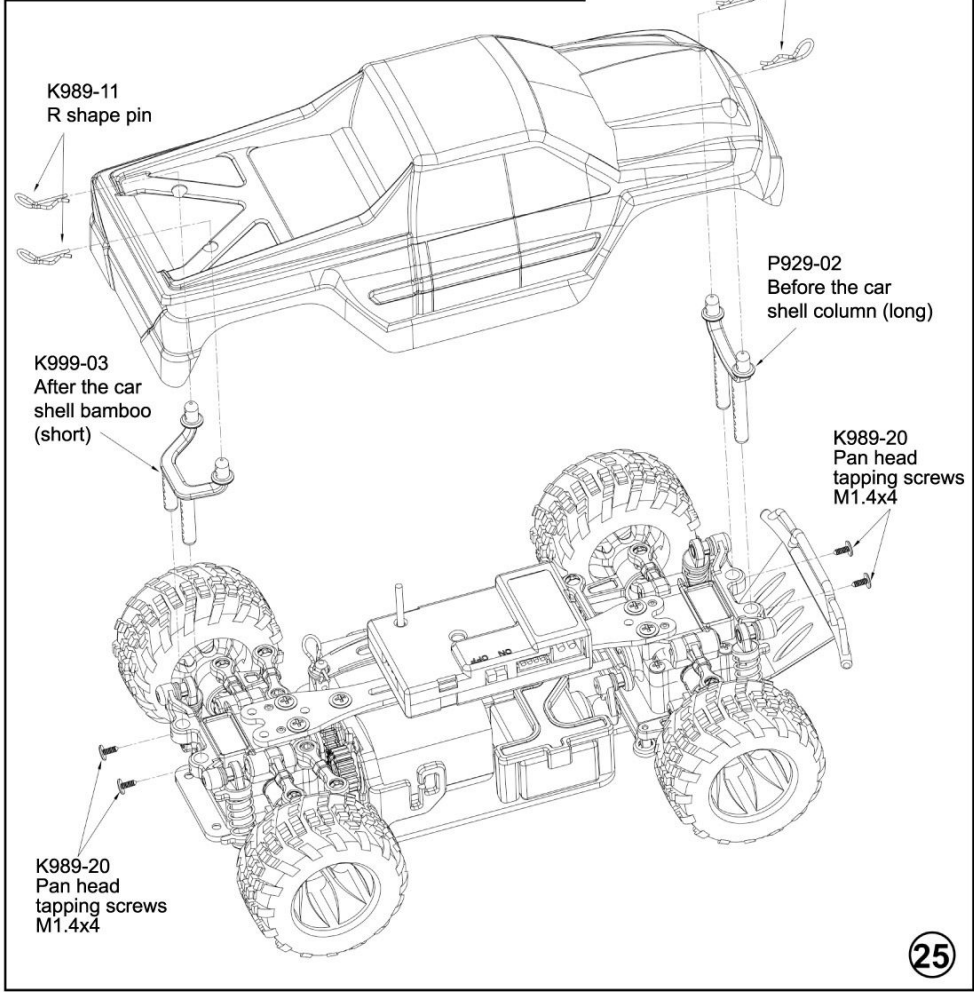
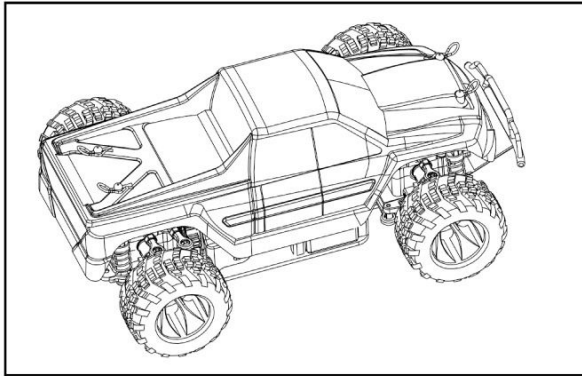


22



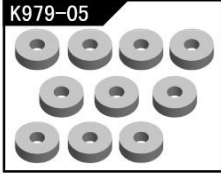
23



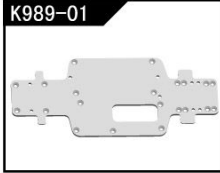


25

Sale parts view



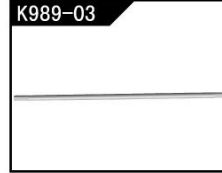
Car shell gasket
12x3x4



Underbody
127.5X55X1.5



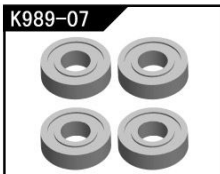
Second floor 99x13x1.5



Central transmission
shaft 2x78



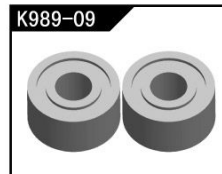
130 Electric machinery



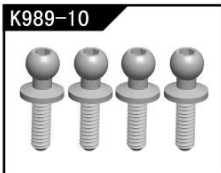
Bearing 6x10x3



Bearing 3x7x2



Bearing 2x5x2.5



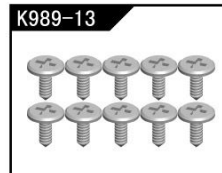
Ball hwd screw 3.5x10.8



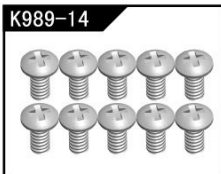
R Shape pin



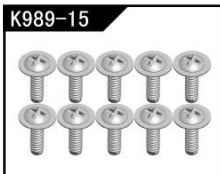
Pan head tapping screw
M1.2x3



Pan head tapping
screws M1.2x3.5



Pan head machine teeth
M2x4



With the meanon self
tapping screws M1.7x8



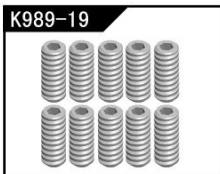
Pan head tapping
screws M1.3x7



Half thread screws M1.5x11



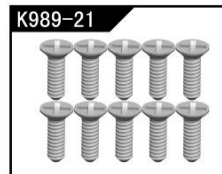
Half thread screws
M1.5x14



set screw M2x5



Pan head with meanon
self-tapping screws M1.4x4



Flat head self-drilling
screw M2x6

Sale parts view

K989-22



Pan head tapping screws
M2x5

K989-23



Pan head tapping screws
with meson M2x6

K989-24



Gear box

K989-25



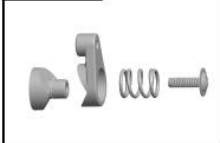
Suspension bracket

K989-26



Differential

K989-27



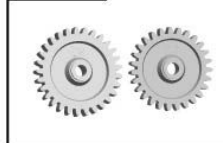
Steering gear buffer
accessories

K989-30



Before and after
active tooth

K989-31



Reduction gear

K989-32



Motor gear

K989-33



After turning the cup

K989-34



Before turning to the cup

K989-35



Battery seat assembly

K989-36



Actuator fixing seat

K989-37



Motor positioning seat

K989-39



Upper swing arm

K989-40



After the ball rod

K989-41



Pull rod assembly

K989-42



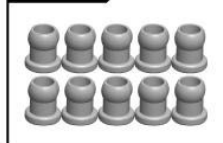
Lower arm

K989-43



Shock absorber

K989-44



Ball head

Sale parts view

K979-45



Nut M2

K989-48



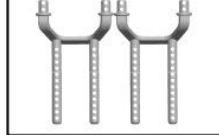
Transmission shaft

K989-50



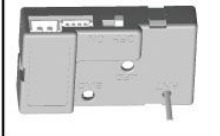
Before the car shell
column (short)

K989-51



After the car shell
column (long)

K989-52



Two in one circuit board

K989-58



5g Digital servo

K989-59



Charger

K989-60



Battery

K989-61



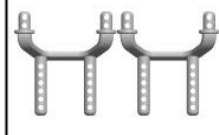
Remote controller

K999-02



Front impact

K999-03



After the car shell
column (short)

P929-01



Hub

P929-02



Before the car
shell column (long)

P929-03



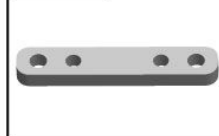
Tire

P929-04



Shell

P929-10



After the gear plate

The End