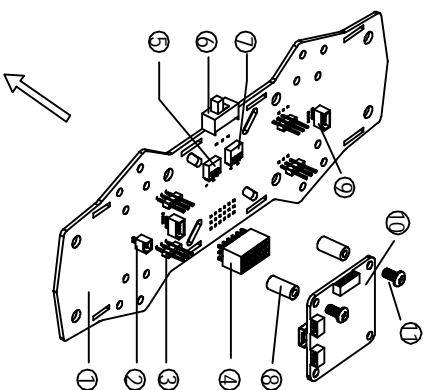
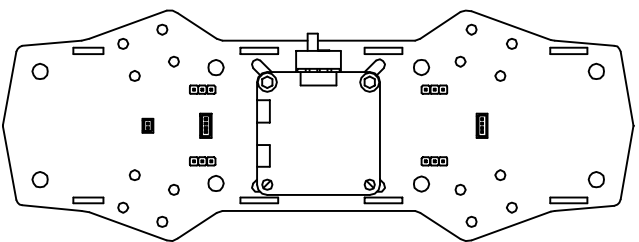


PCB exploded view:



No.	Name
1	PCB
2	2 Pin VTX Power Socket
3	ESC Signal Cable Plug(3 pin)
4	FC Socket(flight controller)
5	IC 7812(12V)
6	Slide switch for LED
7	IC 7805(5V)
8	FC support column
9	Camera Socket
10	FC(flight controller)
11	Rubber column fixing Screw

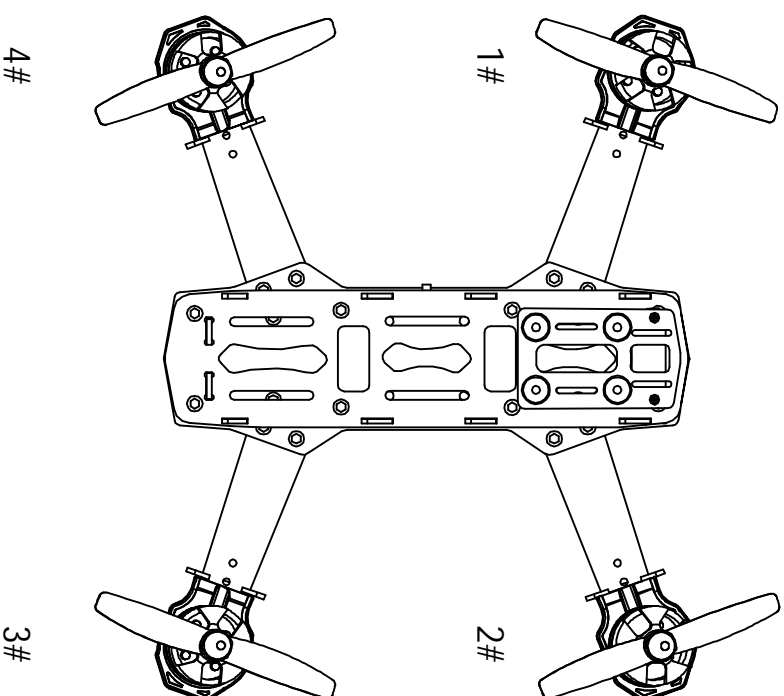


ATTENTION: Frame parts without No. 10(flight controller)

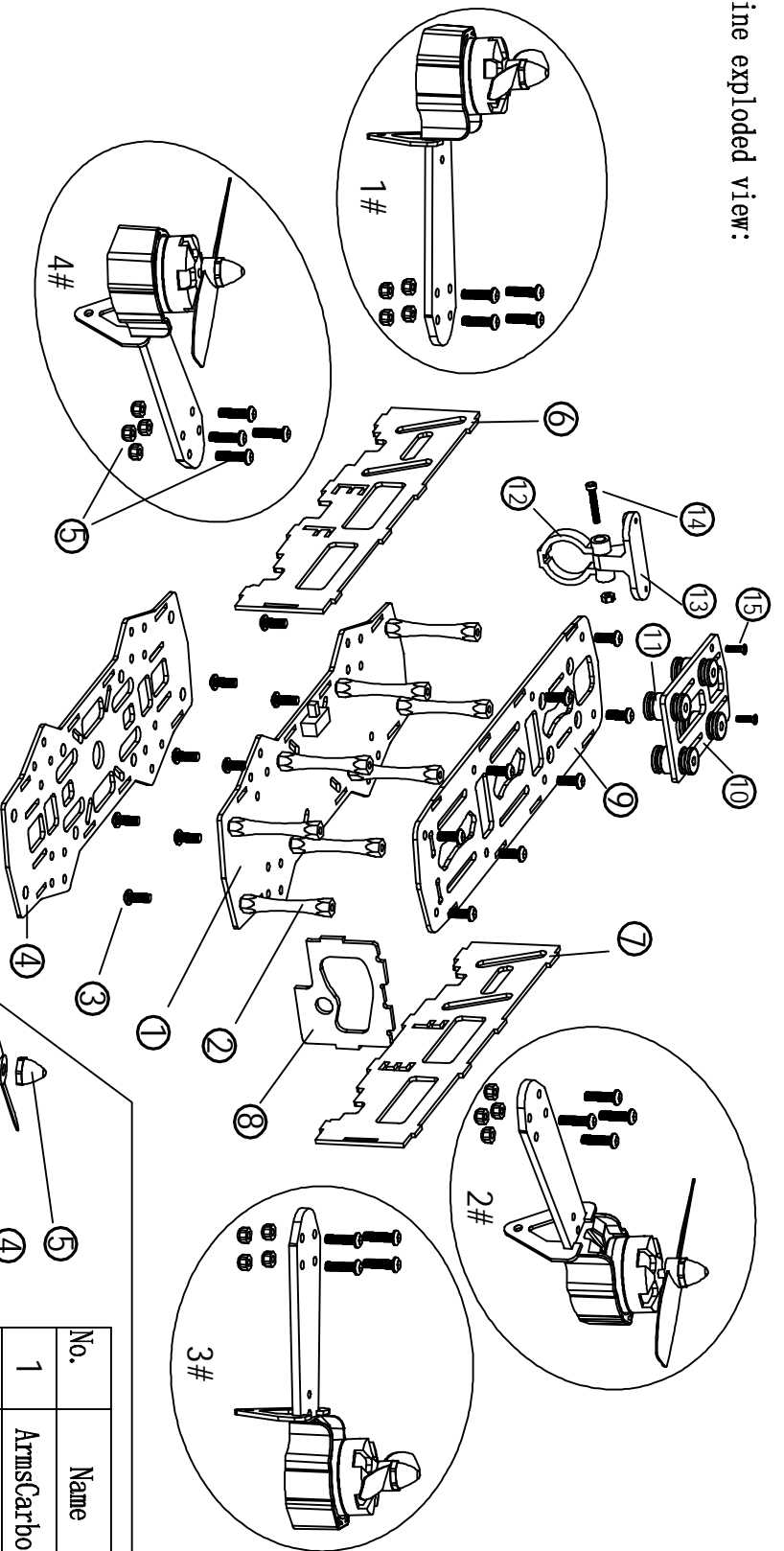


# Falcon 250

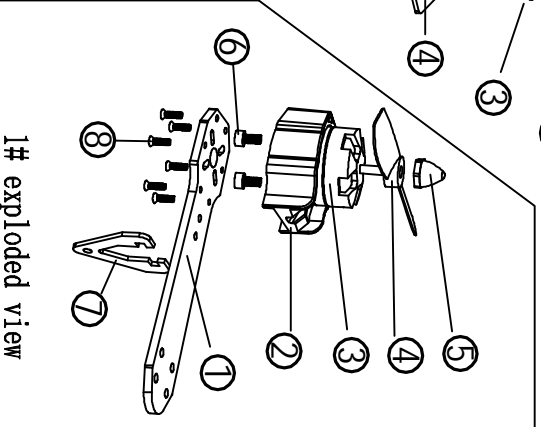
Assembly Instruction



Machine exploded view:



No.	Name	8	9
1	PCB(fiber glass integrated plate)	8 Tail Baffle	9 Cover Plate
2	column	10 Top Damping Plate	
3	Column fixing screws M3*6	11 Absorber Ball	
4	Baseboard(Carbon Fiber)	12 Camera rubber ring	
5	Arms Fixing Screw & Nut M3*16	13 Camera fixing base	
6	Left Side Plate	14 Rubber Ring Fixing Screw M2*15	
7	Right Side Plate	15 Base Fixing Screw KB2*6	



1# exploded view

No.	Name
1	ArmsCarbon Fiber
2	Motor Protective Base
3	Motor
4	Propeller
5	Propeller Fixing Cap
6	Motor Fixing Screws
7	Kickstand
8	Motor Base Fixing screws

ATTENTION: Frame Kit without part 3,4,5,6.