

奋兴FX800T-A说明书



FX800T-A

User Manual

FXT 5.8GHz 25mW,200mW,600mW Transmitter

Specifications

Modulate		Wideband FM Modulate				
Video Format		NTSC/PAL				
Characteristics		Value			Units	
		Min.	Typ.	Max.		
1	Output Impedance	---	50	---	Ohm	
2	Output Power	L:25mW	12	13	14	dBm
		2:200mW	22	23	24	dBm
		6:600mW	26	27	28	dBm
3	Frequency Range	5645-5945			MHz	
4	Operating Voltage	7.0	12	28	V	
5	Supply current	L:25mW	---	100	---	mA
		2:200mW	---	180	---	mA
		6:600mW	---	260	---	mA
6	Output Voltage(VOUT)	VOUT = 5V			V	
7	Operating Temperature	-10	---	+85°C	MHz	
8	Video Band Width	---	6.0	---	MHz	
9	Audio Carrier Frequency	---	6.5	---	---	
10	Video Input Level	0.8	1.0	1.2	Vp-p	
11	Video Input Impedance	---	75	---	Ohm	
12	Audio Input Level	0.5	---	2.0	Vp-p	
13	Audio Input Impedance	---	10K	---	Ohm	
14	Weight	---	8	---	Gram(s)	
15	Antenna Connector	SMA or RP-SMA				
16	Dimensions (LxWxH)	35X24X9MM				



FX800T-A

User Manual

FXT 5.8GHz 25mW,200mW,600mW Transmitter

Changing channel,frequency band and RF power

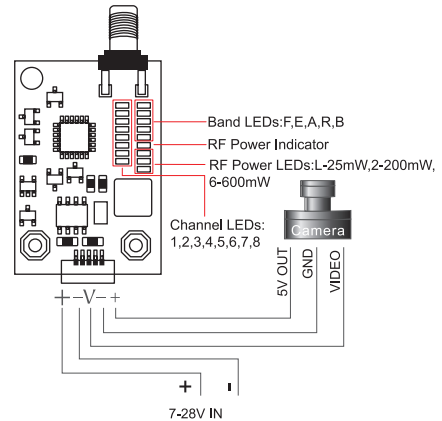
Left CH/FR button for frequency selection

Single press to change channel,long press to change frequency band.

Right RF Power button for RF Power selection

Long press to turn on(or turn off) RF transmission,"P" LED will be ON(or OFF),then single press to change RF power 25/200/600mW.

FR	CH	CH							
		CH1	CH2	CH3	CH4	CH5	CH6	CH7	CH8
FR1/Band F		5740	5760	5780	5800	5820	5840	5860	5880
FR2/Band E		5705	5685	5665	5645	5885	5905	5925	5945
FR3/Band A		5865	5845	5825	5805	5785	5765	5745	5725
FR4/Band R		5658	5695	5732	5769	5806	5843	5880	5917
FR5/Band B		5733	5752	5771	5790	5809	5828	5847	5866



尺寸: **75X125MM**