

# Alloy pliers for tighten out-runner motor housing v2

Model: RCL/AP-S-1A



## Product description:

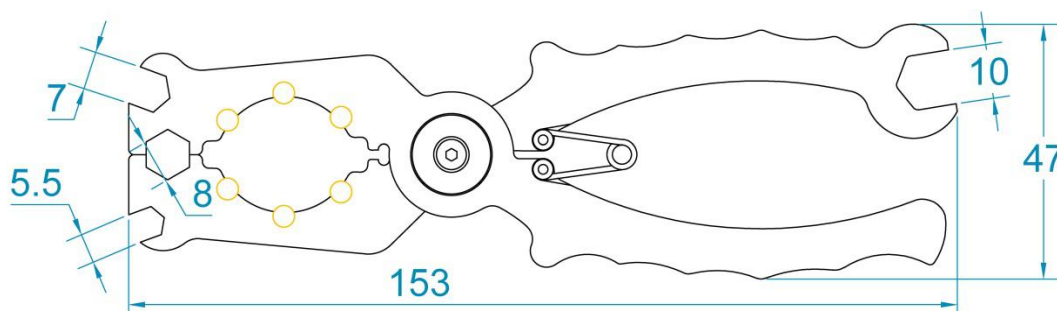
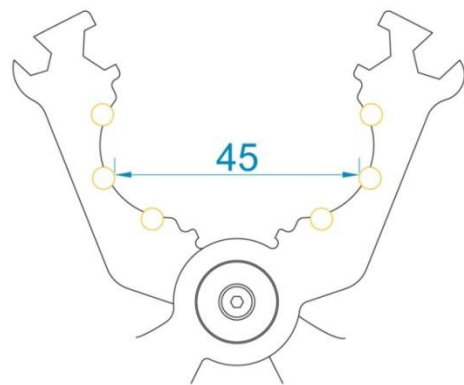
V2 version is added four kinds of commonly used function of hexagonal nut wrench including of 5.5 mm / 7.0 mm / 8.0 mm / 10 mm respectively. In order to make more convenient of installation and adjust any kind Quad /FPV & RC planes & jets related function. Meanwhile the biggest vise open of V2 version from 38 mm to 45mm diameter to be able handle more bigger size of motor than V1 and length of handle position extended 8mm that is designed for more easily tighten motor and let end users more perfect hand touch feeling.

## Features:

- Aluminum alloy material
- The whole CNC process
- Beautiful appearance design

## Specifications:

- ◆ Outmotor size range: 18~45mm
- ◆ Spanner: 5.5mm/7mm/8mm/10mm
- ◆ Size: L153mm x W47mm x H9mm
- ◆ Color: Purple/Blue/Black
- ◆ Weight: 78g





Clamping motor in order to install the propeller



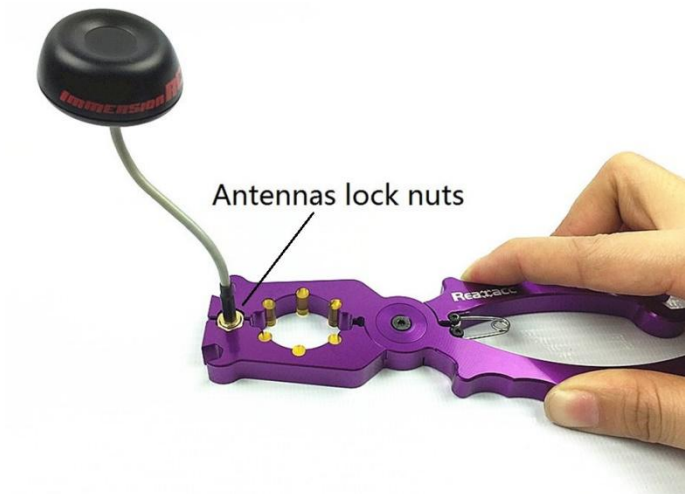
Locking nut 10mm



Suitable for all kinds of 7mm nut



Suitable for all kinds of 5.5mm nut



Antennas lock nuts

