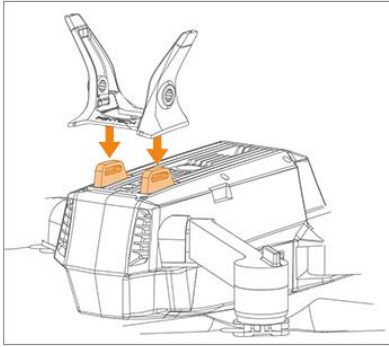
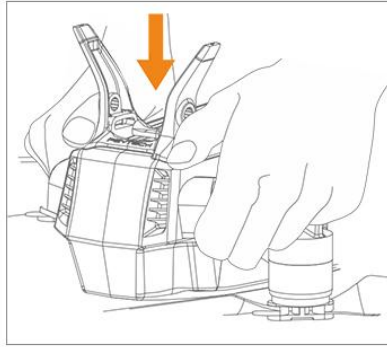


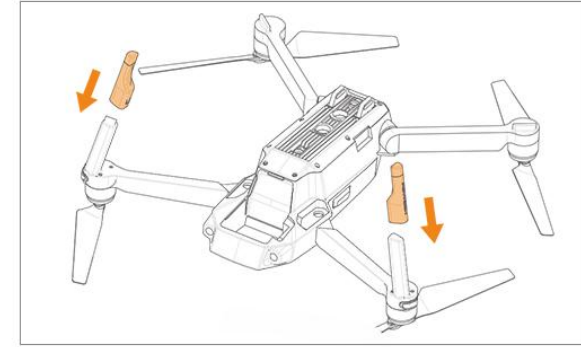
Instruction



① Raise the landing gear at the original aircraft landing gear

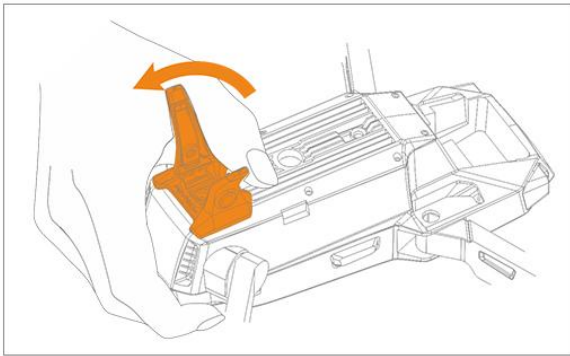


② Carefully put it into the installation until the end.



③ Raise the landing gear at the original aircraft landing gear
④ Carefully put it into the installation until the end.

Disassembly



① Move the upper part of the landing gear in the direction of the arrow.



⚠️ ② Wrong disassembly mode