

ESS-AIR

ESS-AIR Installation Instruction

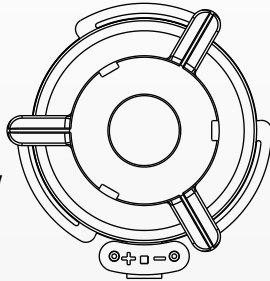
Refer to the installation of the vibration speaker

Speaker installation instruction

ESS-AIR D2510W-F speaker is a vibration speaker. Paste the speaker to the surface of a vibrating object to make a sound. The installation and the material and size of the object to which speaker is pasted influence the quality of the sound.

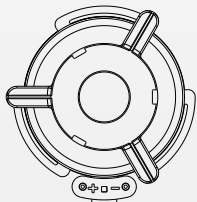
D25102-F Speaker Specifications

- Diameter : 54mm
- Weight: 60g
- Nominal Impedance: 4Ω
- Input Power: Nom.5W Max. 10W
- Resonance Frequency: 312Hz



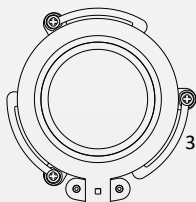
Installation Notes

- Clean the surface to which the speaker is pasted and press when you paste. For better bonding, allow for 24-hour standing. Recommendation: Use glue to paste the vibration ring.
- Install the loudspeaker as horizontally as possible. If two speakers are used, keep a distance between them.
- Paste the fixed ring and the vibration ring to the flat surface of the aircraft model. Ensure that the two rings are concentric.
- The materials and size of the mounting surface influence the sound effect. Choose the most appropriate mounting position before fixation.



1、 Fixed ring

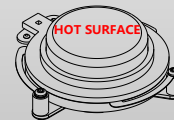
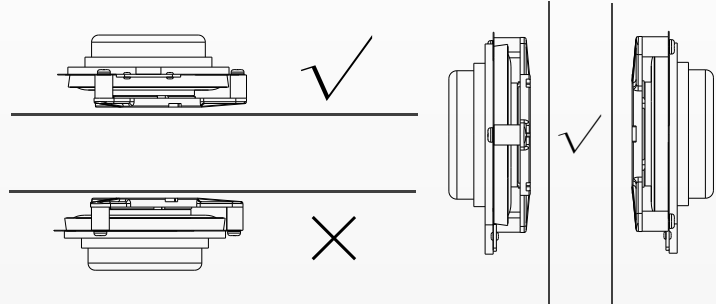
2、 Vibration ring



3、 Clip

Installation

Use appropriate bonding glue (e.g. ZAP) to paste the Vibration ring to the aircraft model based on the material of the surface. High-quality bonding can enhance the sound effect!



- Do not touch the speaker! The speaker in use is of high temperature.
- Keep good dissipation for the speaker.

Please use the speakers produced or recommended officially. Non-certified speakers can be problematic.

For more specifications of speakers, follow our official website www.sensehobby.com