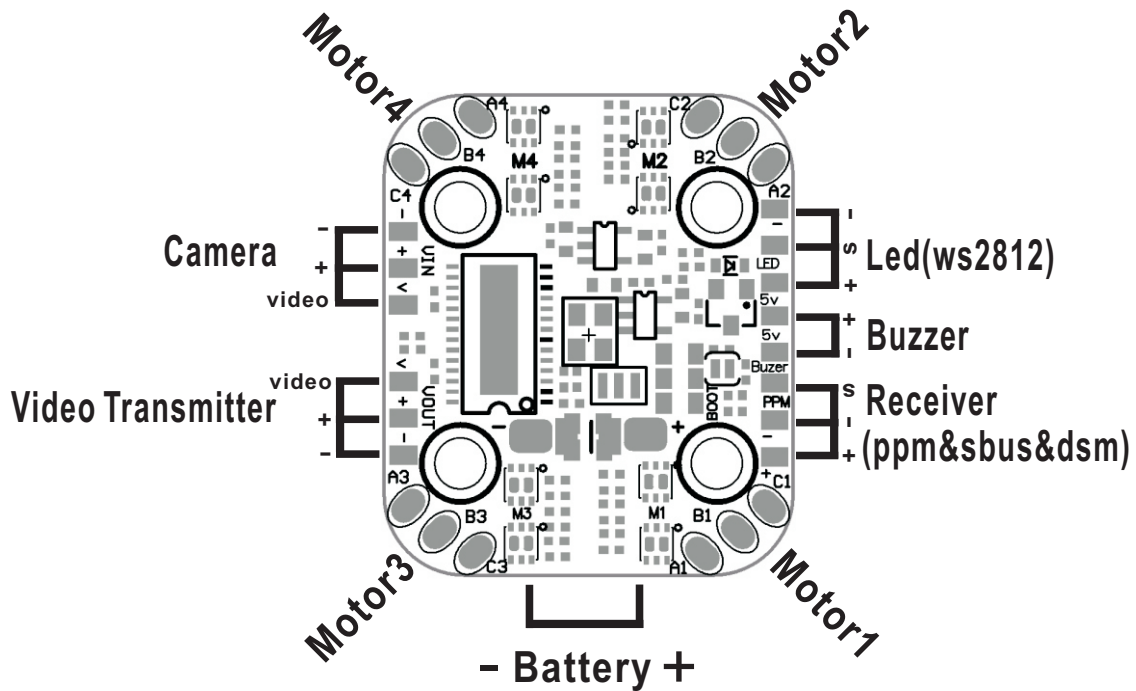
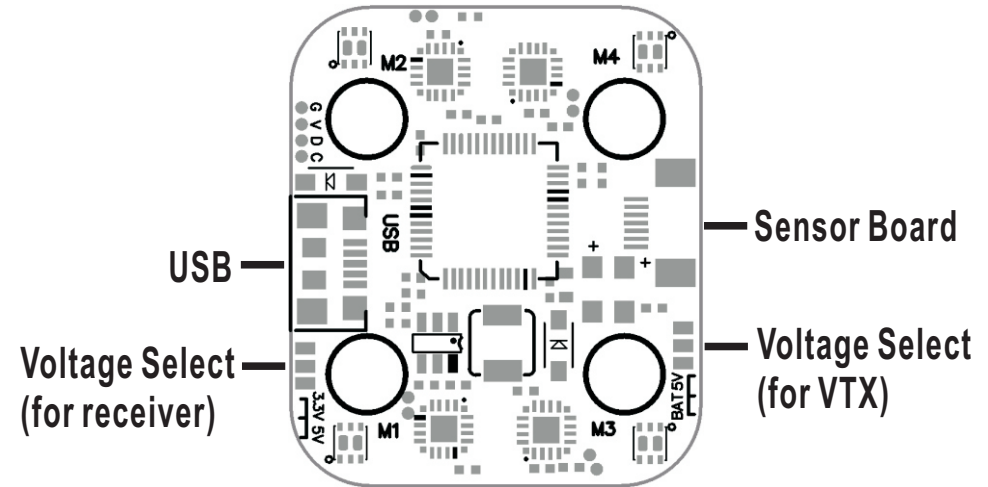


## Top



## Bottom



## Features:

- F3 Flight Controller integrated with 4in1 ESC
- MPU6000 6 axis SPI Gyro & Accelerometer
- Drag and Drop OSD configured via Betaflight Configurator
- SBUS/PPM and Spektrum dsm-x Ports
- 5V BEC output

## Specification:

Input: 1Cell LiPo  
Bec: 5.1V@1.5A  
Firmware: OMNIBUS F3  
Size: 30x25.5 mm  
Mount holes: 16x16 mm  
Weight: 9 g

## Sensor Board

