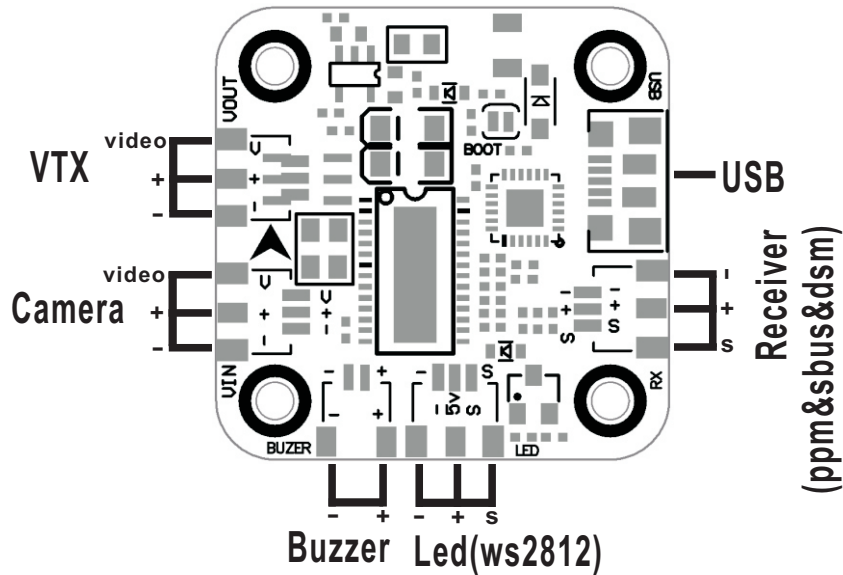
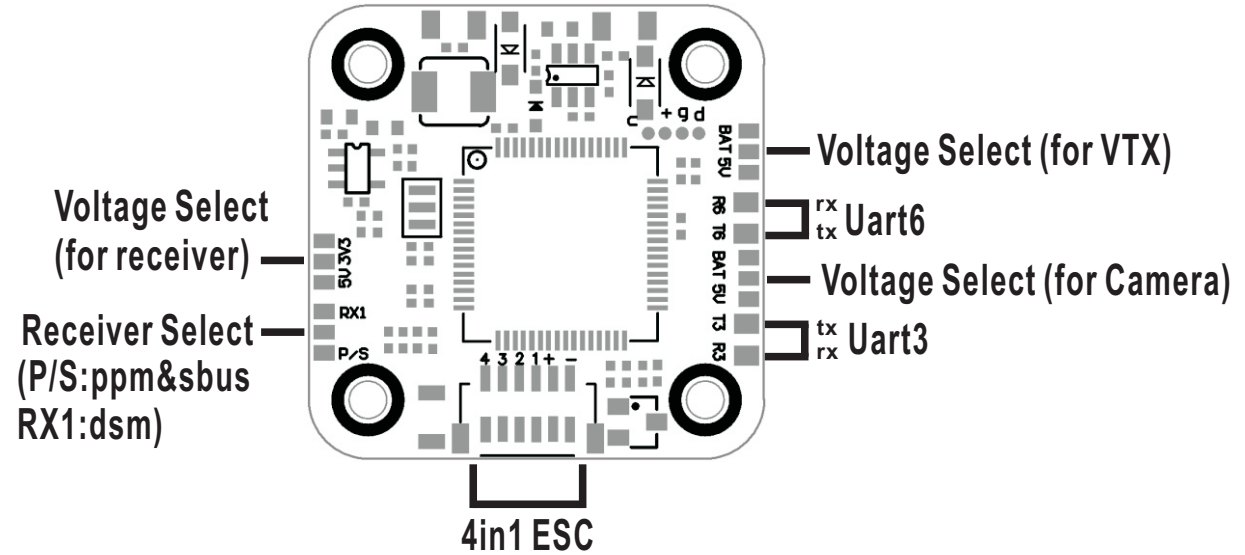


## Top



## Bottom



## Features:

- STM32 F405 Flight Control Board integrated with PDB
- MPU6000 6 axis SPI Gyro & Accelerometer
- Dshot 1200 support
- Drag and Drop OSD configured via Betaflight Configurator
- SBUS/PPM and Spektrum dsm Ports
- 5V BEC support

## Specification:

Input:2-4 Cell LiPo  
Bec:5.1V@1.2A  
Firmware: OMNIBUS F4SD  
Size: 27x27 mm  
Mount holes: 20x20 mm  
Weight: 6.8 g