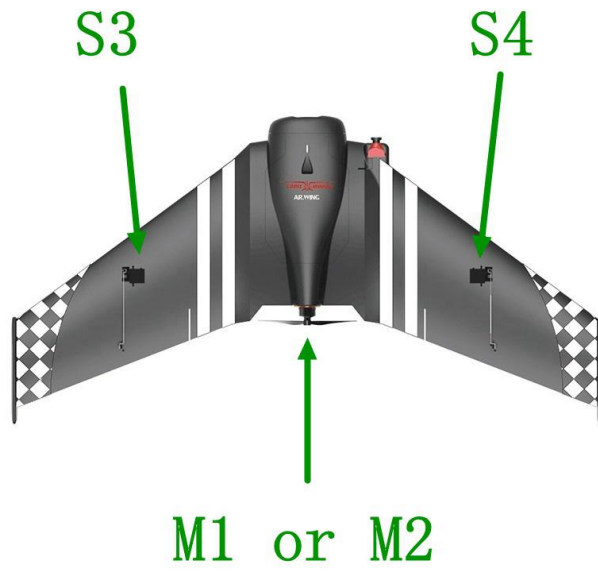


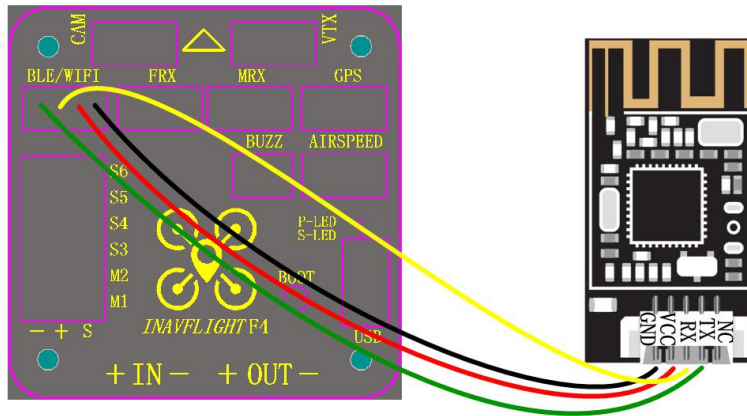
# AR WING



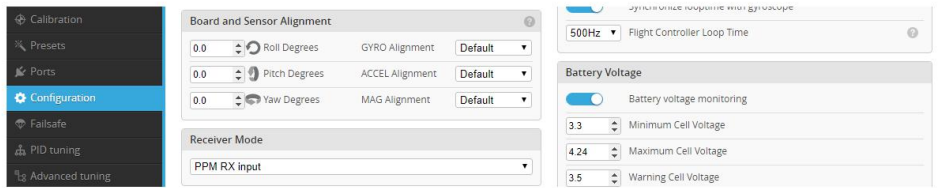
Change model: Flying Wing

# Bluetooth

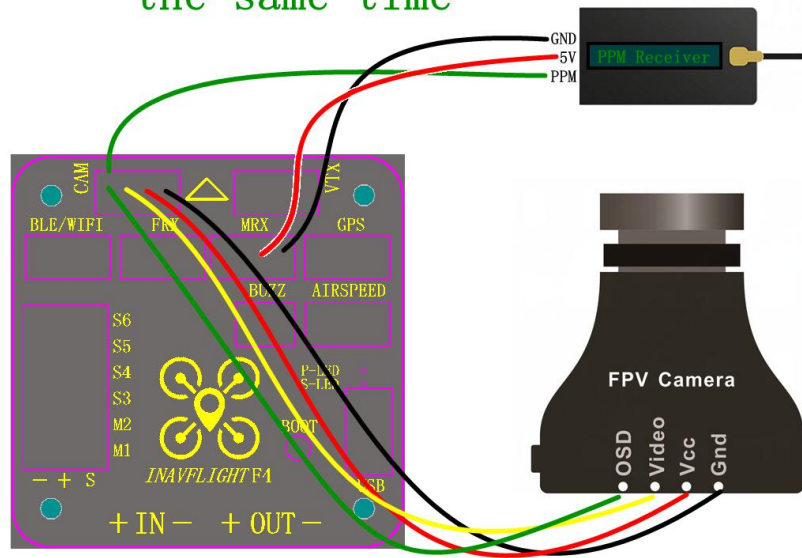
Identifier	Data	Telemetry	RX	Sensors	Peripherals
USB VCP	<input checked="" type="checkbox"/> MSP 115200	Disabled AUTO	<input type="checkbox"/> Serial RX	Disabled 38400	Disabled 115200
UART1	<input checked="" type="checkbox"/> MSP 57600	Disabled AUTO	<input type="checkbox"/> Serial RX	Disabled 38400	Disabled 115200
UART2	<input type="checkbox"/> MSP 115200	Disabled AUTO	<input type="checkbox"/> Serial RX	GPS 57600	Disabled 115200
UART3	<input type="checkbox"/> MSP 115200	Disabled AUTO	<input type="checkbox"/> Serial RX	Disabled 38400	Disabled 115200
UART4	<input type="checkbox"/> MSP 115200	Disabled AUTO	<input type="checkbox"/> Serial RX	Disabled 38400	IRC Tramp 115200
UART5	<input type="checkbox"/> MSP 115200	Disabled AUTO	<input type="checkbox"/> Serial RX	Disabled 38400	Disabled 115200
UART6	<input type="checkbox"/> MSP 115200	SmartPort AUTO	<input type="checkbox"/> Serial RX	Disabled 38400	Disabled 115200



## PPM Receiver and Camera

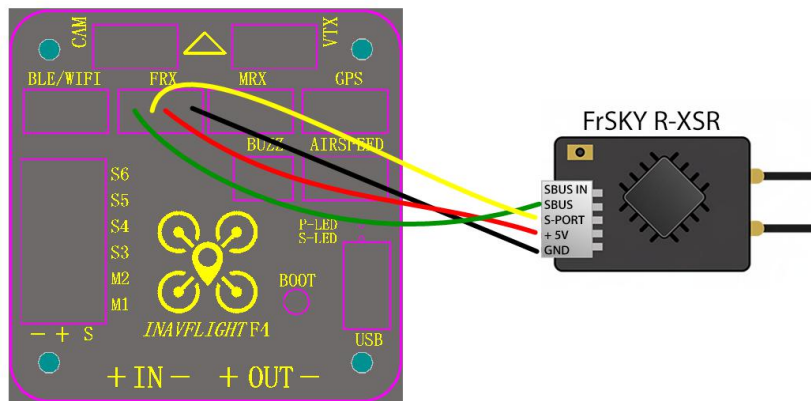


**\*Note:** PPM and CAM\_C can't be used at the same time



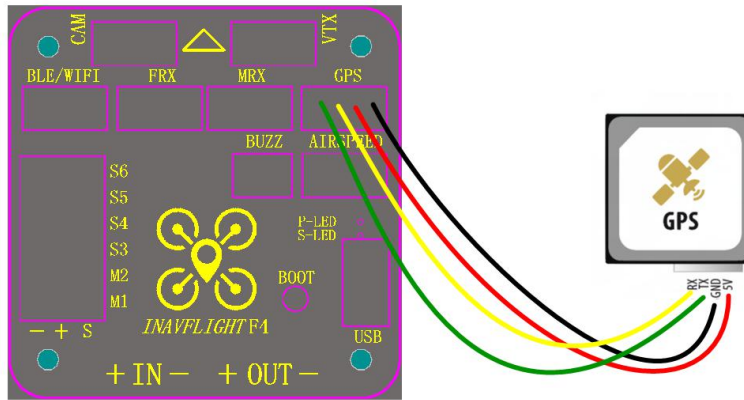
# FrSky R-XSR Receiver

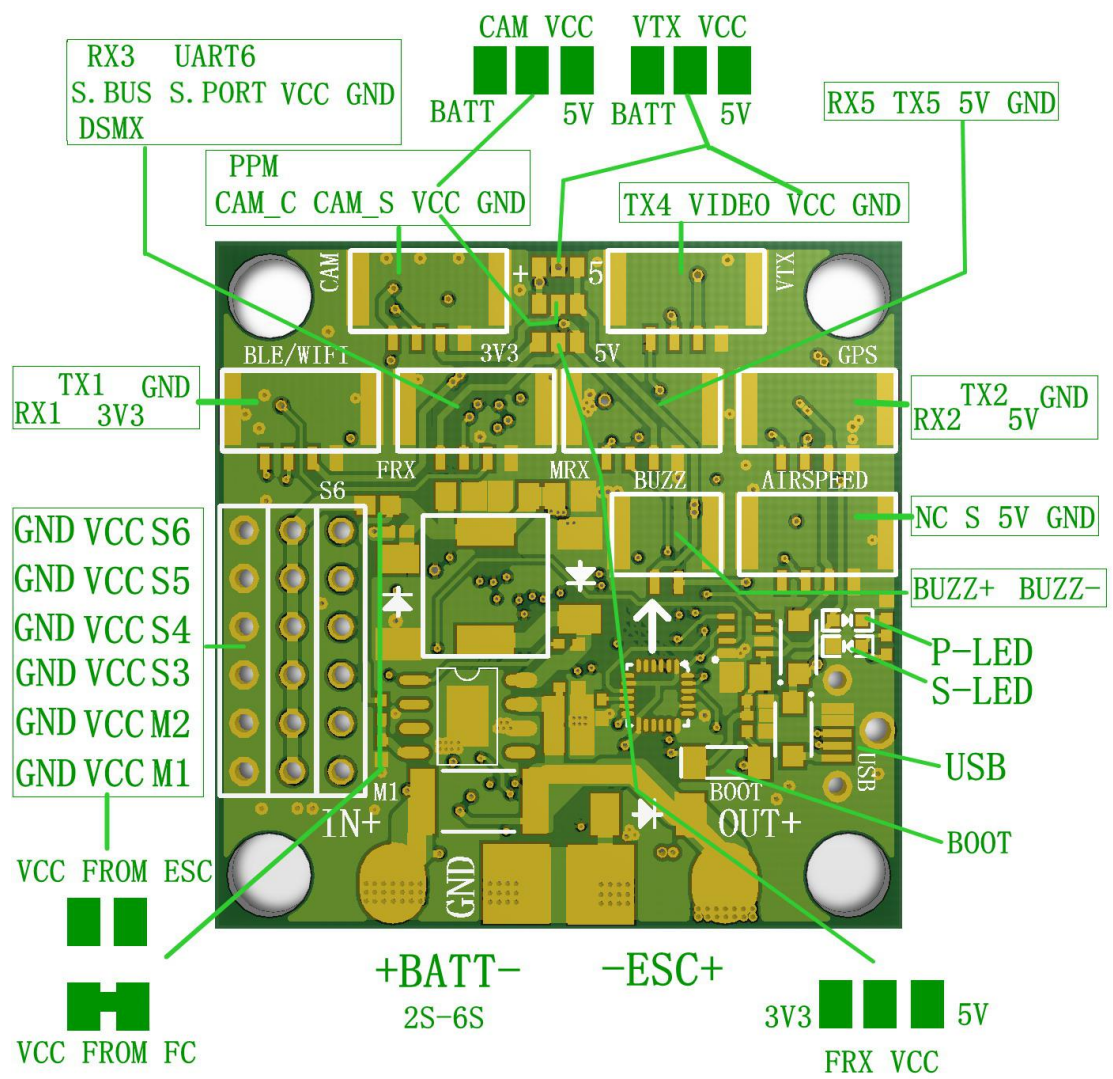
Identifier	Data	Telemetry	RX	Sensors	Peripherals
USB VCP	<input checked="" type="checkbox"/> MSP 115200	Disabled AUTO	<input type="checkbox"/> Serial RX	Disabled 38400	Disabled 115200
UART1	<input type="checkbox"/> MSP 57600	Disabled AUTO	<input type="checkbox"/> Serial RX	Disabled 38400	Disabled 115200
UART2	<input type="checkbox"/> MSP 115200	Disabled AUTO	<input type="checkbox"/> Serial RX	GPS 57600	Disabled 115200
UART3	<input type="checkbox"/> MSP 115200	Disabled AUTO	<input checked="" type="checkbox"/> Serial RX	Disabled 38400	Disabled 115200
UART4	<input type="checkbox"/> MSP 115200	Disabled AUTO	<input type="checkbox"/> Serial RX	Disabled 38400	IRC Tramp 115200
UART5	<input type="checkbox"/> MSP 115200	Disabled AUTO	<input type="checkbox"/> Serial RX	Disabled 38400	Disabled 115200
UART6	<input type="checkbox"/> MSP 115200	SmartPort AUTO	<input type="checkbox"/> Serial RX	Disabled 38400	Disabled 115200



# GPS

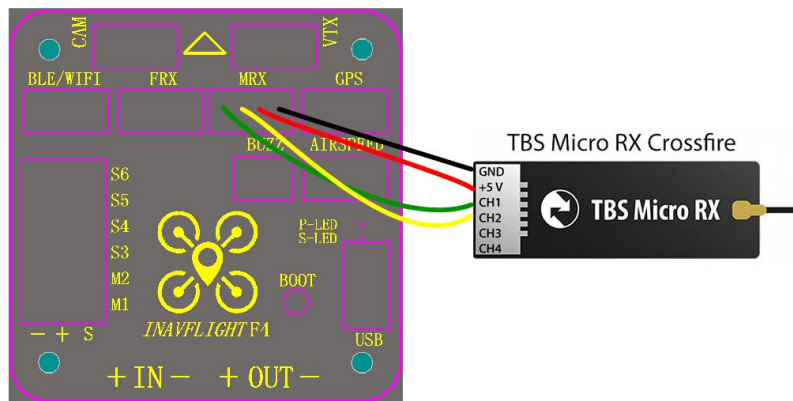
Identifier	Data	Telemetry	RX	Sensors	Peripherals
USB VCP	<input checked="" type="checkbox"/> MSP 115200	Disabled   AUTO	<input type="checkbox"/> Serial RX	Disabled   38400	Disabled   115200
UART1	<input type="checkbox"/> MSP 57600	Disabled   AUTO	<input type="checkbox"/> Serial RX	Disabled   38400	Disabled   115200
UART2	<input type="checkbox"/> MSP 115200	Disabled   AUTO	<input type="checkbox"/> Serial RX	<b>GPS   57600</b>	Disabled   115200
UART3	<input type="checkbox"/> MSP 115200	Disabled   AUTO	<input type="checkbox"/> Serial RX	Disabled   38400	Disabled   115200
UART4	<input type="checkbox"/> MSP 115200	Disabled   AUTO	<input type="checkbox"/> Serial RX	Disabled   38400	IRC Tramp   115200
UART5	<input type="checkbox"/> MSP 115200	Disabled   AUTO	<input type="checkbox"/> Serial RX	Disabled   38400	Disabled   115200
UART6	<input type="checkbox"/> MSP 115200	SmartPort   AUTO	<input type="checkbox"/> Serial RX	Disabled   38400	Disabled   115200



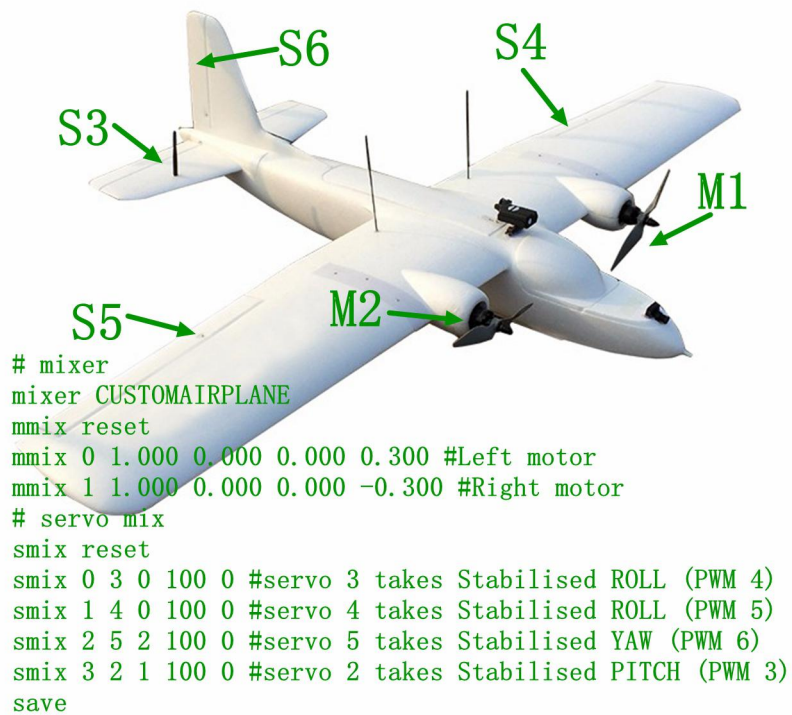


# TBS Micro RX Crossfire

Identifier	Data	Telemetry	RX	Sensors	Peripherals
USB VCP	<input checked="" type="checkbox"/> MSP 115200	Disabled AUTO	<input type="checkbox"/> Serial RX	Disabled 38400	Disabled 115200
UART1	<input type="checkbox"/> MSP 57600	Disabled AUTO	<input type="checkbox"/> Serial RX	Disabled 38400	Disabled 115200
UART2	<input type="checkbox"/> MSP 115200	Disabled AUTO	<input type="checkbox"/> Serial RX	GPS 57600	Disabled 115200
UART3	<input type="checkbox"/> MSP 115200	Disabled AUTO	<input type="checkbox"/> Serial RX	Disabled 38400	Disabled 115200
UART4	<input type="checkbox"/> MSP 115200	Disabled AUTO	<input type="checkbox"/> Serial RX	Disabled 38400	IRC Tramp 115200
UART5	<input type="checkbox"/> MSP 115200	Disabled AUTO	<input checked="" type="checkbox"/> Serial RX	Disabled 38400	Disabled 115200
UART6	<input type="checkbox"/> MSP 115200	SmartPort AUTO	<input type="checkbox"/> Serial RX	Disabled 38400	Disabled 115200



## Twin Dream



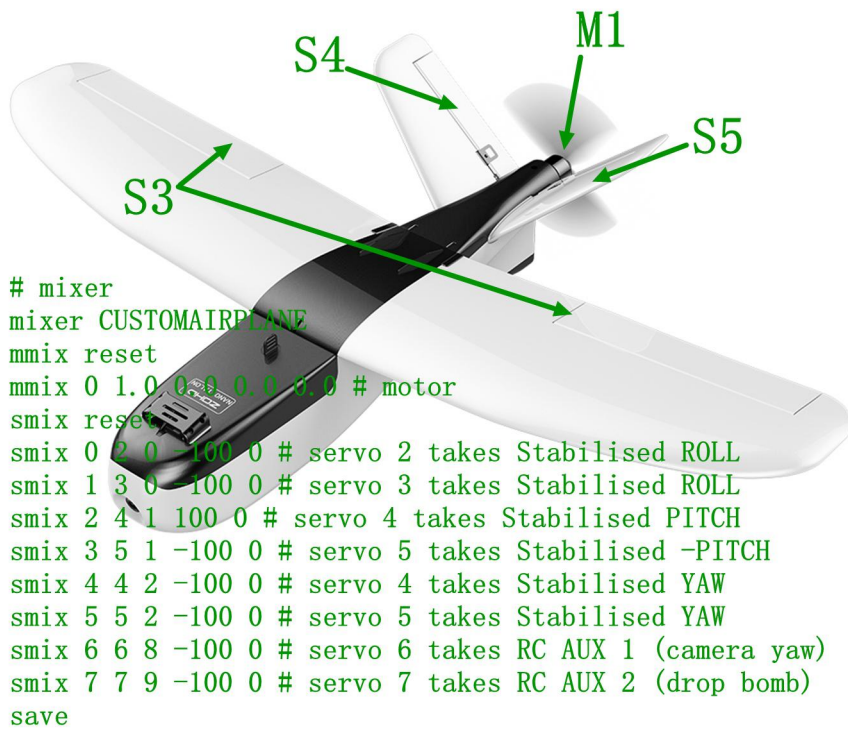


# Volantex Ranger



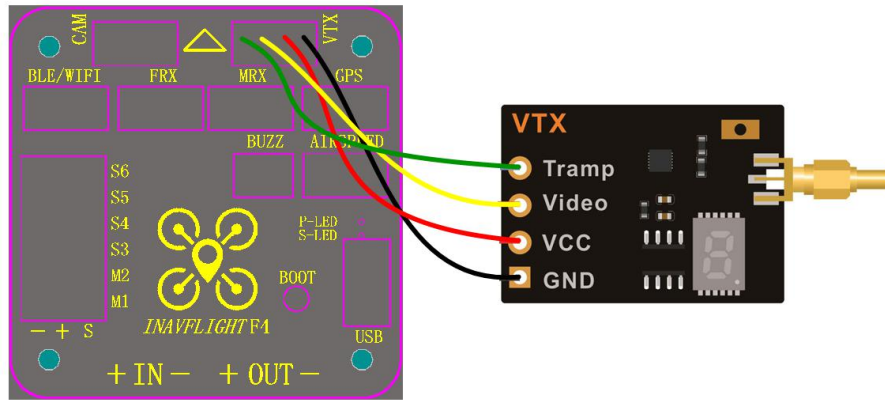
Change model: Airplane

## V-Tail



# VTX

Identifier	Data	Telemetry	RX	Sensors	Peripherals
USB VCP	<input checked="" type="checkbox"/> MSP 115200	Disabled AUTO	<input type="checkbox"/> Serial RX	Disabled 38400	Disabled 115200
UART1	<input type="checkbox"/> MSP 57600	Disabled AUTO	<input type="checkbox"/> Serial RX	Disabled 38400	Disabled 115200
UART2	<input type="checkbox"/> MSP 115200	Disabled AUTO	<input type="checkbox"/> Serial RX	GPS 57600	Disabled 115200
UART3	<input type="checkbox"/> MSP 115200	Disabled AUTO	<input type="checkbox"/> Serial RX	Disabled 38400	Disabled 115200
UART4	<input type="checkbox"/> MSP 115200	Disabled AUTO	<input type="checkbox"/> Serial RX	Disabled 38400	IRC Tramp 115200
UART5	<input type="checkbox"/> MSP 115200	Disabled AUTO	<input type="checkbox"/> Serial RX	Disabled 38400	Disabled 115200
UART6	<input type="checkbox"/> MSP 115200	SmartPort AUTO	<input type="checkbox"/> Serial RX	Disabled 38400	Disabled 115200



# Wireless connection to INAV via TBS Crossfire Tx + TBS Micro Rx

Identifier	Data	Telemetry	RX	Sensors	Peripherals
USB VCP	<input checked="" type="checkbox"/> MSP 115200	Disabled AUTO	<input type="checkbox"/> Serial RX	Disabled 38400	Disabled 115200
UART1	<input checked="" type="checkbox"/> MSP 57600	Disabled AUTO	<input type="checkbox"/> Serial RX	Disabled 38400	Disabled 115200
UART2	<input type="checkbox"/> MSP 115200	Disabled AUTO	<input type="checkbox"/> Serial RX	GPS 57600	Disabled 115200
UART3	<input type="checkbox"/> MSP 115200	Disabled AUTO	<input type="checkbox"/> Serial RX	Disabled 38400	Disabled 115200
UART4	<input type="checkbox"/> MSP 115200	Disabled AUTO	<input type="checkbox"/> Serial RX	Disabled 38400	IRC Tramp 115200
UART5	<input type="checkbox"/> MSP 115200	Disabled AUTO	<input checked="" type="checkbox"/> Serial RX	Disabled 38400	Disabled 115200
UART6	<input type="checkbox"/> MSP 115200	SmartPort AUTO	<input type="checkbox"/> Serial RX	Disabled 38400	Disabled 115200

