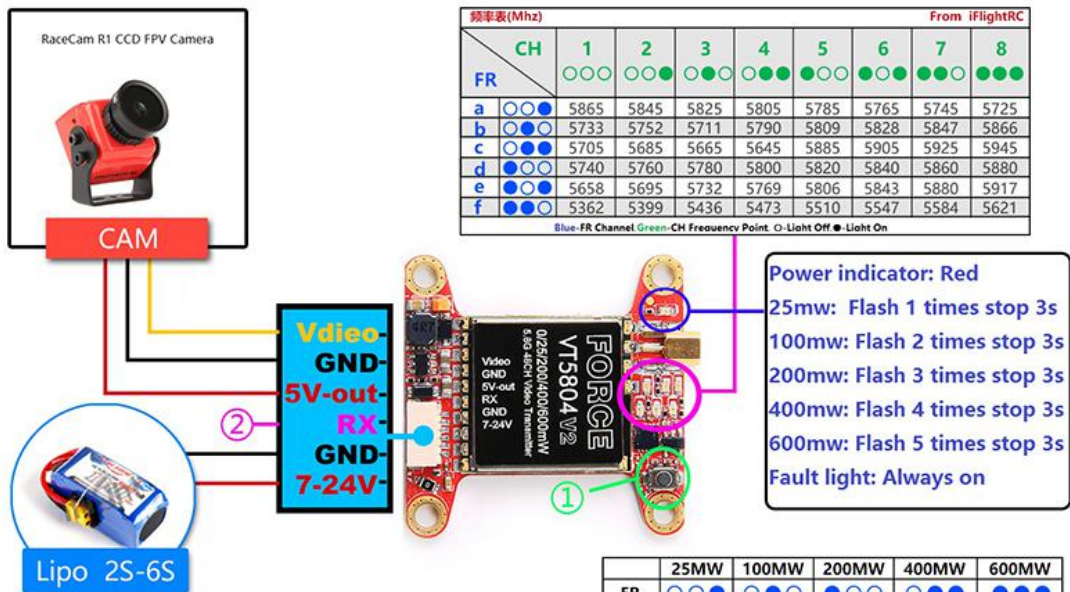


## iFlight the Force V2 5.8G 48CH 0/25/100/200/400/600mW Switchable FPV Transmitter Manual



### ① CH Frequency Point modulation Button

1.Short press once, change the number of channels CH (CH1-CH8)

2.Long press the button for 2 seconds and then press the key to change the frequency group

FR(A-F)

Button Power Control

Long press the button for 10 seconds and then press the button to change the power

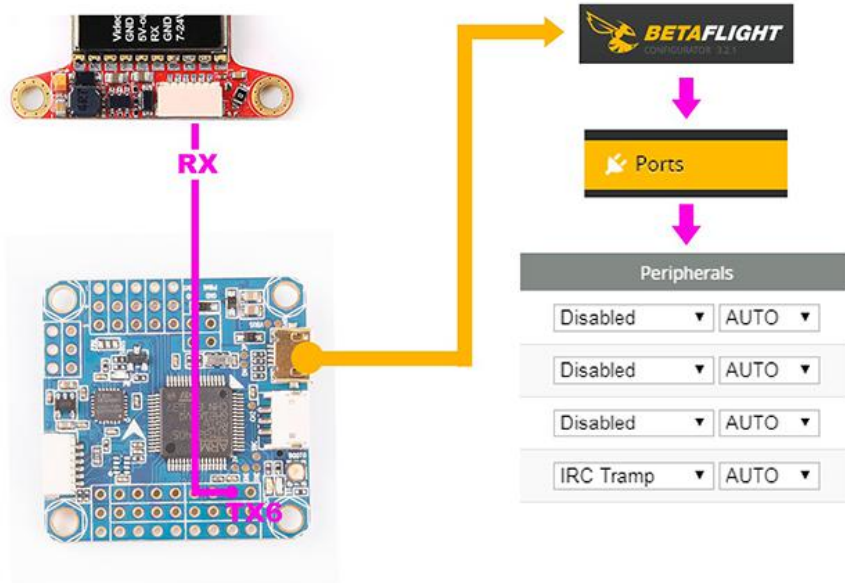
level 25mW/100mW/200mW/400mW/600mW; (see details of the right power switch instructions)

### ② OSD Remote Control CH Frequency Point Modulation

Change the number of channels CH (CH1-CH8) via OSD by remote control

1.Connect RX and TX port on flight control(take OMNIBUS F4 for example, it's TX6)

2.Enter Betaflight, find the corresponding UART port and change the Peripherals as IRC Tramp(See below photo)



- Power Indicator: (Details See below power indicator)

频率表(Mhz)		From iFlightRC							
CH		1	2	3	4	5	6	7	8
FR		○ ○ ○	○ ○ ●	○ ● ○	○ ● ●	● ● ○	● ○ ●	● ● ○	● ● ●
a	○ ○ ●	5865	5845	5825	5805	5785	5765	5745	5725
b	○ ● ○	5733	5752	5711	5790	5809	5828	5847	5866
c	○ ● ●	5705	5685	5665	5645	5885	5905	5925	5945
d	● ○ ○	5740	5760	5780	5800	5820	5840	5860	5880
e	● ○ ●	5658	5695	5732	5769	5806	5843	5880	5917
f	● ● ○	5362	5399	5436	5473	5510	5547	5584	5621

蓝灯指示FR频道，绿灯指示CH频点，空心圆表示灭灯，实心圆表示亮灯

- Blue light indicates: FR(frequency)
- Green light indicates: CH(channel)
- Hollow circle indicates: OFF Solid circle indicates: ON

- NOTICE:

1. Determine the output end has been installed before the antenna, so as not to damage the internal components
2. Note that the input voltage within the specified range and positive and negative, so as not to damage the internal components
3. If you replace the antenna, select the standing wave and the gain of the antenna to get the distant transmission distance
4. Transport and installation of the process of attention to electrostatic protection