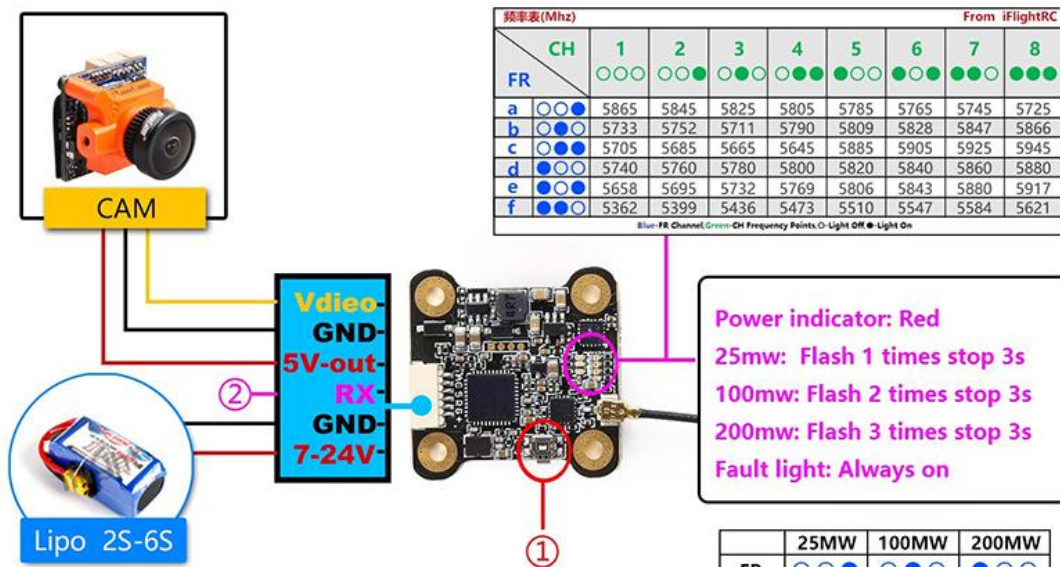


## iFlight the Force Mini 5.8G 48CH 25/100/200mW Switchable FPV Transmitter Manual



- ① **CH Frequency Point modulation Button**
1. Short press once, change the number of channels CH (CH1-CH8)
  2. Long press the button for 2 seconds and then press the key to change the frequency group FR(A-F)

### Button Power Control

Long press the button for 10 seconds and then press the button to change the power level 25mW/100mW/200mW; (see details of the right power switch instructions)

- ② **OSD Remote Control CH Frequency Point modulation**
- Change the number of channels CH (CH1-CH8) via OSD by remote control
1. Connect RX and TX port on flight control (take MINI F3 for example, it's TX1)
  2. Enter Betaflight, find the corresponding UART port and change the Peripherals as IRC Tramp (See below photo)

