



Explore the new World!

Hawkeye Firefly

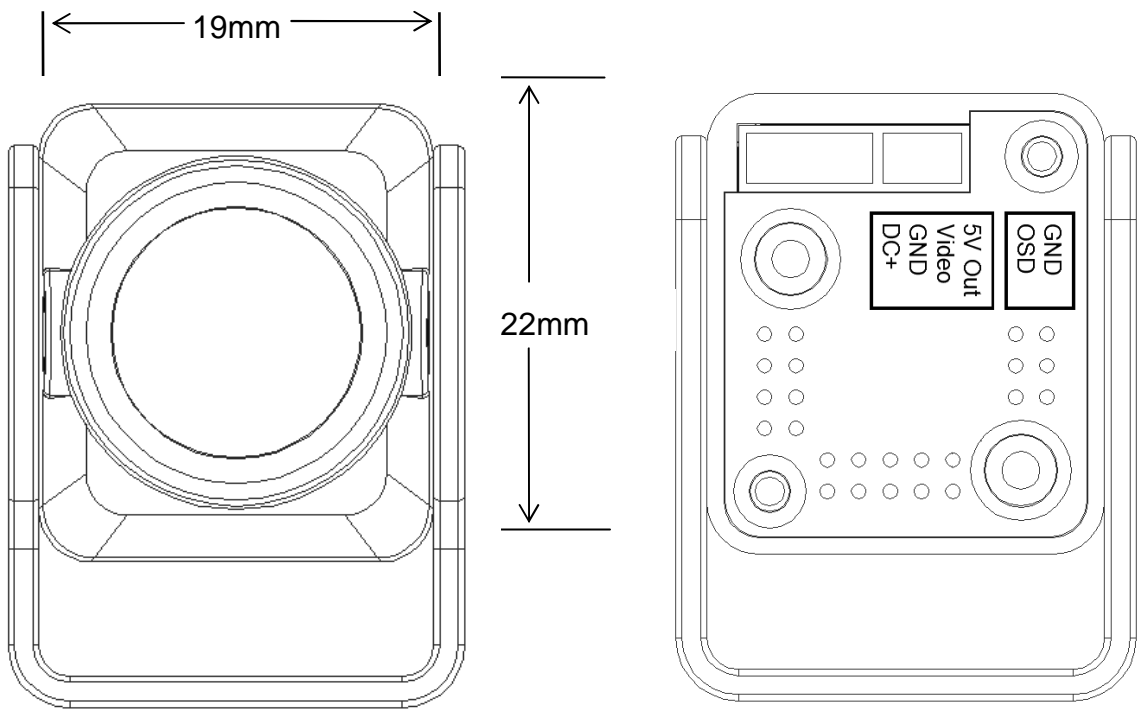
< Fortress > Micro FPV Camera

- 960H TVL
- AIO available
- Only 19*22MM , 9g
- Well Protected shell
- 1S, 2S-6S battery compatible
- 6 adjustable settings modes



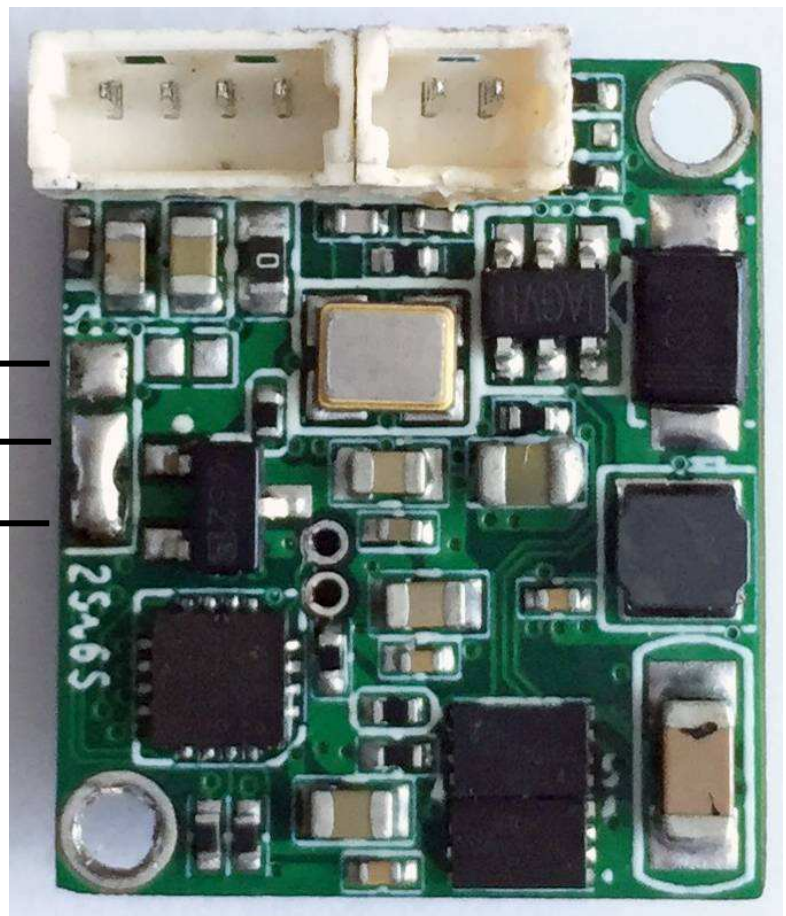
Ver 2.2

Features :



**Connect to choose power input range.
Note: Can only weld two points, can't weld 3 points together!**

1S battery
Default:2S-6S
battery



Performance and Specifications:

Image sensor	1/3 inch
Horizontal Resolution	960 H TVL
TV System	NTSC/PAL
Image	4:3 / 16:9
Min Illumination	0.1Lux(Color); 0.001Lux(B&W)
Lens	M8 , 2.1mm
S/N Ratio	> 60dB
Video Output	CVBS
Voltage Output	5V-300MA
Power input	5-36V(No transmitter added)
	6-36V transmitter added)
	3.5-4.3V(Change to 1S battery input)
Work Temperature	-20℃ ~ +60℃
Net Weight	8g
Dimensions	19×22×22mm
Language	English/Chinese

FPV Screen:*Mode*

SUNNY	
---+--- <u>SCALE MARK</u>	
01:05	8.1V
<u>TIME</u>	<u>POWER</u>

Video settings:

Hawkeye Fortress Menu

FPV SETUP
EXPOSURE
DAY&NIGHT
IMAGE SETUP
FUNC.SETUP
FACTORY
SAVE&EXIT

FPV SETUP

TIME [ON]
POWER [ON]
POS [P1]
SCALE MARK [ON]
RETURN

*Set the display marks ON/OFF and positions on the screen.

EXPOSURE

EXPOSURE VALUE [10]
METERING [AVERAGE]
RETURN

*Set the exposure value, bigger brighter.

*Metering: average, up, down, center

DAY&LIGHT

MODE [COLOR]

RETURN

*Set the image : color/Black&white

IMAGE SETUP

COLOR GAIN [6]
MIRROR [NONE]
GAMMA >>
SHARPNESS >>
AWB >>
AGC >>
RETURN

*Set the image quality.

*Gamma, bigger value make image more contrast, otherwise the image will be brighter.

FUNC.SETUP

SYSTEM [PAL]
IMAGE SCALE [16:9]
LANGUAGE [ENG]
RETURN

*Set the TV system, PAL/NTSC .

*Language: English/Chinese

Modes settings:

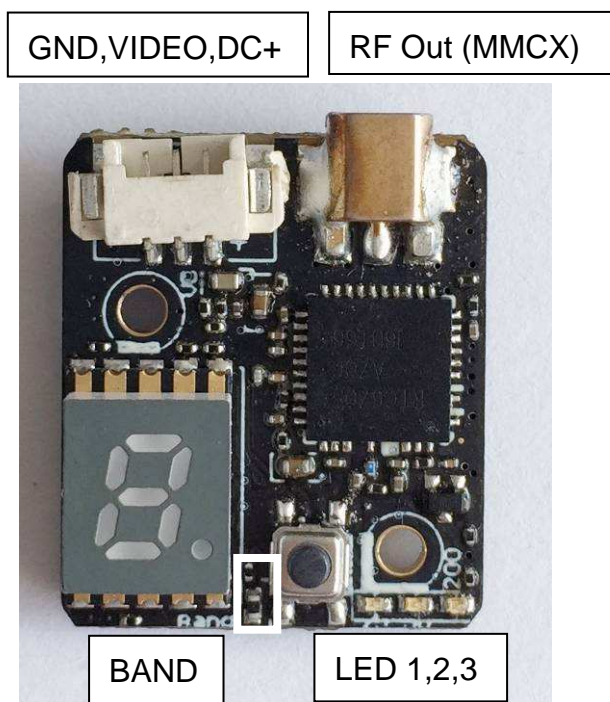
Press and hold Left key to switch: Cloudy,Indoor,Lightrax,Twilight,Personal,Sunny.
You could adjust the settings in each mode.

Power setting&Low Power Alarm setting:

Press and hold Right key to adjust the power value; press left button to set the alarm power.

You could adjust the power by pressing up/down button.

5.8G Transmitter(Optional):



Channel Button:

Press once: Channel switch from 1 to 8.

Press 2 seconds: Channel group switch from A to F, or H.

Press 10 seconds: Change power: 0mW, 25mW,50mW,200mW.

Power LED:

LED	0mw	25mw	50mw	200mw
1	off	on	off	off
2	off	off	on	off
3	off	off	off	on

BAND resistor(0Ω) :
 Soldered: 48 channels (Default)
 Removed: 72 channels

Transmitter spec:

Supply Power	3.3-5.5V
Input Impedance	75Ω
Tx Power (MW)	0 , 25 , 50 , 200
Frequency	5.8GHZ
Channel	48/72CH
Antenna connector	MMCX
Size	18*20mm
Weight	2g

48 Channels (default , MHz) :

	A	B	C	D	E	F
1	5645	5740	5725	5733	5658	5362
2	5665	5760	5745	5752	5695	5399
3	5865	5780	5765	5771	5732	5436
4	5705	5800	5785	5790	5769	5473
5	5885	5820	5805	5809	5806	5510
6	5905	5840	5825	5828	5843	5547
7	5925	5860	5845	5847	5880	5584
8	5945	5880	5865	5866	5917	5621

72 Channels (BAND resistor removed , MHz) :

	1	2	3	4	5	6	7	8
A	5865	5845	5825	5805	5785	5765	5745	5725
B	5733	5752	5771	5790	5809	5828	5847	5866
E	5705	5685	5665	5645	5885	5905	5925	5945
F	5740	5760	5780	5800	5820	5840	5860	5880
r	5658	5695	5732	5769	5806	5843	5880	5917
u	5325	5348	5366	5384	5402	5420	5438	5456
o	5474	5492	5510	5528	5546	5564	5582	5600
L	5333	5373	5413	5453	5493	5533	5573	5613
H	5653	5693	5733	5773	5813	5853	5893	5933

AIO(optional):



**Please refer to our website for manual updates: www.CNfpv.com
www.hawkeyefirefly.com**