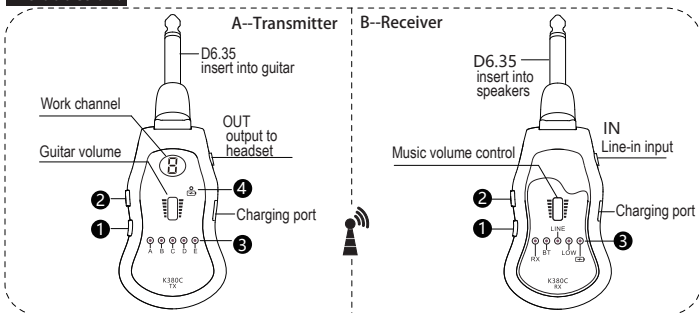


## Portable wireless Guitar synthesizer effector K380C

### Properties

- \* UHF wireless ID pairing technology, support 10 variable channels, and support multiple sets using in a band simultaneously.
- \* Professional 5 guitar effects: original clean, bluesy, flanger, tremolo, metal. You are certain to love it.
- \* The TX has built-in amplifier, it can connect earphone or speakers to work independently by D3.5 output, and can be played anytime and anywhere, especially suitable for warm-up exercise before live show.  
The TX supports power saving function. It will be turned off automatically if there is no input signal more than 5 minutes, making it more environmentally friendly.
- \* The RX built-in BT and line-in, background music of mobile phone can input to RX through it. So that one musician could play the effects of a band.
- \* Applicable field: portable guitar exercise, warm-up exercises before show, etc.

### Introduction:



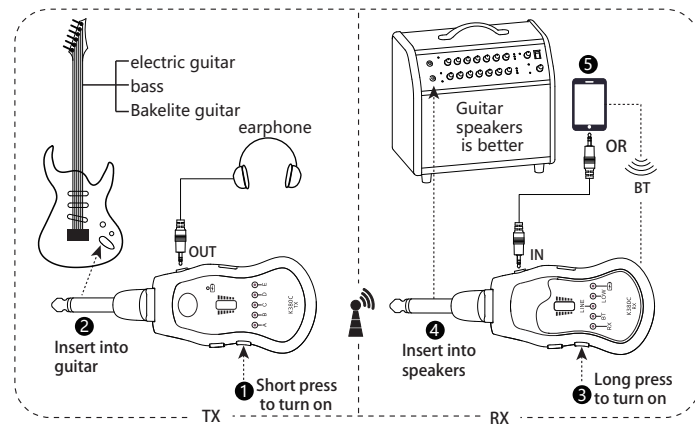
### A. Transmitter

- 1 "PWR": Short press the PWR key to turn it on, long press it to turn it off.  
After a short press, the channel will change between 0 and 9, and the channel of RX will follow it automatically.
- 2 MODE: Effect MODE key, Short press it, the guitar sound effects will be changed circularly as below: A -- original clean, B -- bluesy, C -- flanger, D -- tremolo, E -- metal. And the corresponding effect LED will be lit.
- 3 Effect mode LED: A -- original clean, B -- bluesy, C -- flanger, D -- tremolo, E -- metal. It supports memory function after power off.  
Note: please turn down the volume of K380C TX or speakers appropriately if the "E- metal" effect or others cause noise.
- 4 : It means TX low battery when the LED screen is flashing. Please charge it in time.  
The red charging LED will light up when it's charging. The LED will go out after charging finished.

### B. Receiver

- 1 "PWR": long press to turn on or off.
  - 2 "PAIR": Short press it to make receiver into wait pairing state when it's BT mode, Press it again to reconnect the last connected device. Please connect "K380C" with your cell phone, then player can play guitar with background music.
  - 3 Indicator LED:  
RX-- receiving LED;  
BT-- BT status LED;  
LINE-- Line-in input LED;
- LOW -- Low battery orange LED, it will alarm every 30 seconds;  
 -- The red LED will light up when it's charging.  
Then LED will go out after charging finished.

### Using steps:



- 5 The RX supports background music input, which has 2 modes of BT and line-in. it will turn to line-in mode automatically when audio cable inserted to "In" port and the green LED will be lit. Otherwise it works in BT mode; the blue LED will be lit.  
Note: 1. The TX can work independently when its "OUT" port connected to earphone without receiver.

### Pairing operationsteps:

ID pairing: it's not needed to pairing as it's matched before delivery. Please turn off both RX and TX in case of they work abnormally. Then make the following operations.

- A. Long press "PWR" button of transmitter for more than 5 seconds, and the LED screen flashes, it means pairing state.
- B. Long press "PWR" button of the receiver to turn on, the "RX" LED would flash 3 times and then go out;
- C. Short press "PWR" button of the transmitter again for confirmation, and the LEDs at both TX and RX are lit, ID pairing is finished.

The function of pairing: Both TX and RX are identified uniquely for each other. Support multiple sets using in a band simultaneously.

Tips: please stagger the channels on each transmitter to ensure the sound quality of wireless transmission when several sets of "K380C" work simultaneously,

### key parameters:

Work channels: 10

Reliable wireless distance: about 15m

Power supply: built-in Li battery

### Pack list:

K380C transmitter -----1  
USB charging cables -----2

K380C receiver -----1  
D3.5 audio cable -----1