

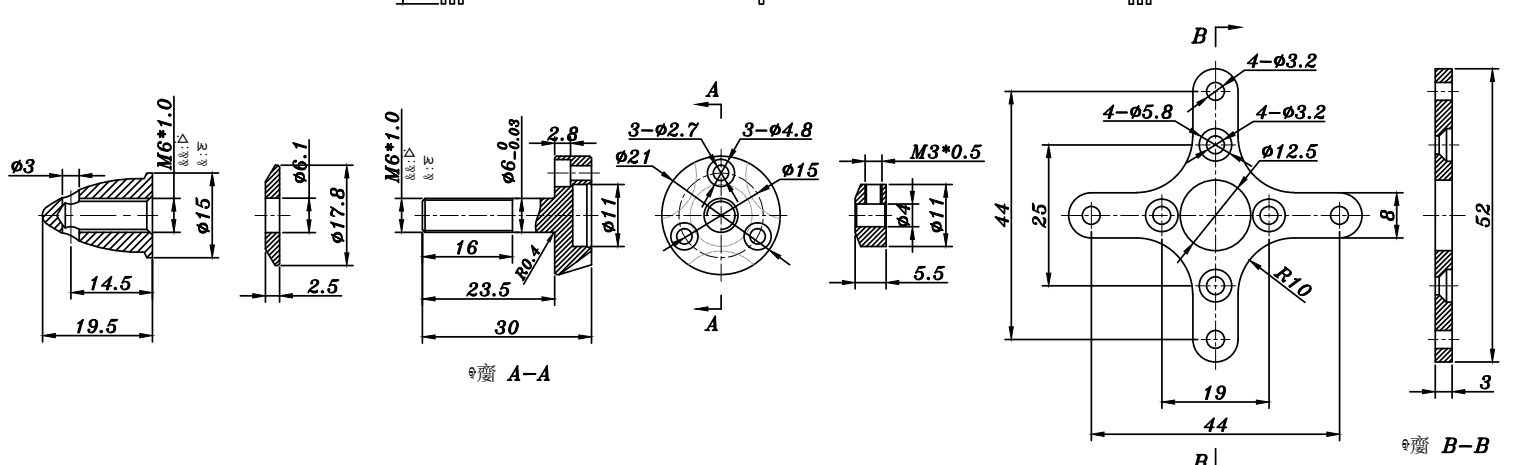
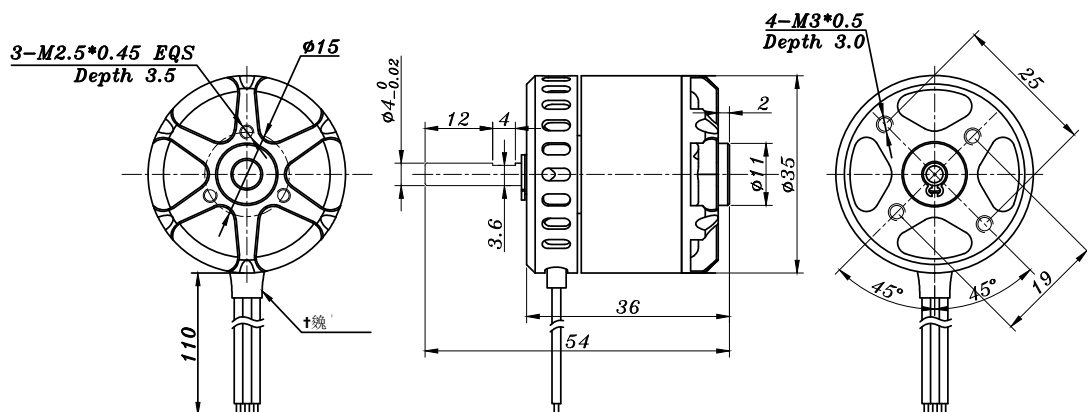
SUNNYSKY

Specifications	X2814 KV900		
Stator Diameter	定子外径	28mm	
Stator Thickness	定子厚度	14mm	
No. of Stator Arms	定子槽数	12	
No. of Rotor Poles	转子极数	14	
Motor KV	电机KV值	900	
No-Load Current (A/10V)	空载电流	1.2A	
Motor Resistance	电机电阻	33.6mΩ	
Max Continuous Current	最大连续电流	50A/30s	
Max Continuous Power	最大连续功率	680W	
Weight	重量	108g	
Rotor Diameter	转子直径	35mm	
Body Length	电机长度 (不含轴长)	36mm	
Max Lipo Cell	支持锂电节数	3-4S	
ESC	建议使用电调	40-60A	
Recommended Prop(inch)	推荐螺旋桨规格	APC11*5.5	APC13*6.5
		APC11*8	APC13*8

AEROBATIC(适用特技机重量) 1200g--1400g (3S APC13x6.5\13x8) (4S APC11x5.5\APC11x7\APC11x8)

适用3D机重量 800g-1200g (3S APC13x6.5\13x8)

Prop (inch)	Voltage (V)	Amps (A)	Thrust (gf)	Watts (W)	Efficiency (g/W)	RPM	Load temperature in 100% throttle 全油门负载温度
APC13*6.5	11.1	4.7	500	52.17	9.58	3913	75°C 10min
		8.2	750	91.02	8.24	4724	
		12.7	1000	140.97	7.09	5424	
		17.3	1250	192.03	6.51	6088	
		22.8	1500	253.08	5.93	6536	
		28.6	1750	317.46	5.51	7029	
		38.6	2150	428.46	5.02	7668	
APC13*8	11.1	5.1	500	56.61	8.83	3693	83°C 10min
		8.9	750	98.79	7.59	4506	
		13.7	1000	152.07	6.58	5234	
		19.1	1250	212.01	5.90	5751	
		25.5	1500	283.05	5.30	6295	
		32.6	1750	361.86	4.84	6770	
		40.9	2000	453.99	4.41	7205	
APC11*5.5	14.8	4.3	500	63.64	7.86	5430	65°C 10min
		7	750	103.6	7.24	6576	
		10.8	1000	159.84	6.26	7460	
		14.8	1250	219.04	5.71	8219	
		19.1	1500	282.68	5.31	9100	
		25.3	1750	374.44	4.67	9660	
		30.5	2000	451.4	4.43	10310	
APC11*8	14.8	4.7	500	69.56	7.19	4830	94°C 3min
		8.3	750	122.84	6.11	5852	
		12.3	1000	182.04	5.49	6720	
		16.9	1250	250.12	5.00	7512	
		22.3	1500	330.04	4.54	8166	
		28.8	1750	426.24	4.11	8727	
		34.5	2000	510.6	3.92	9307	
45.5	2320	673.4	3.45	10221			



X2814