

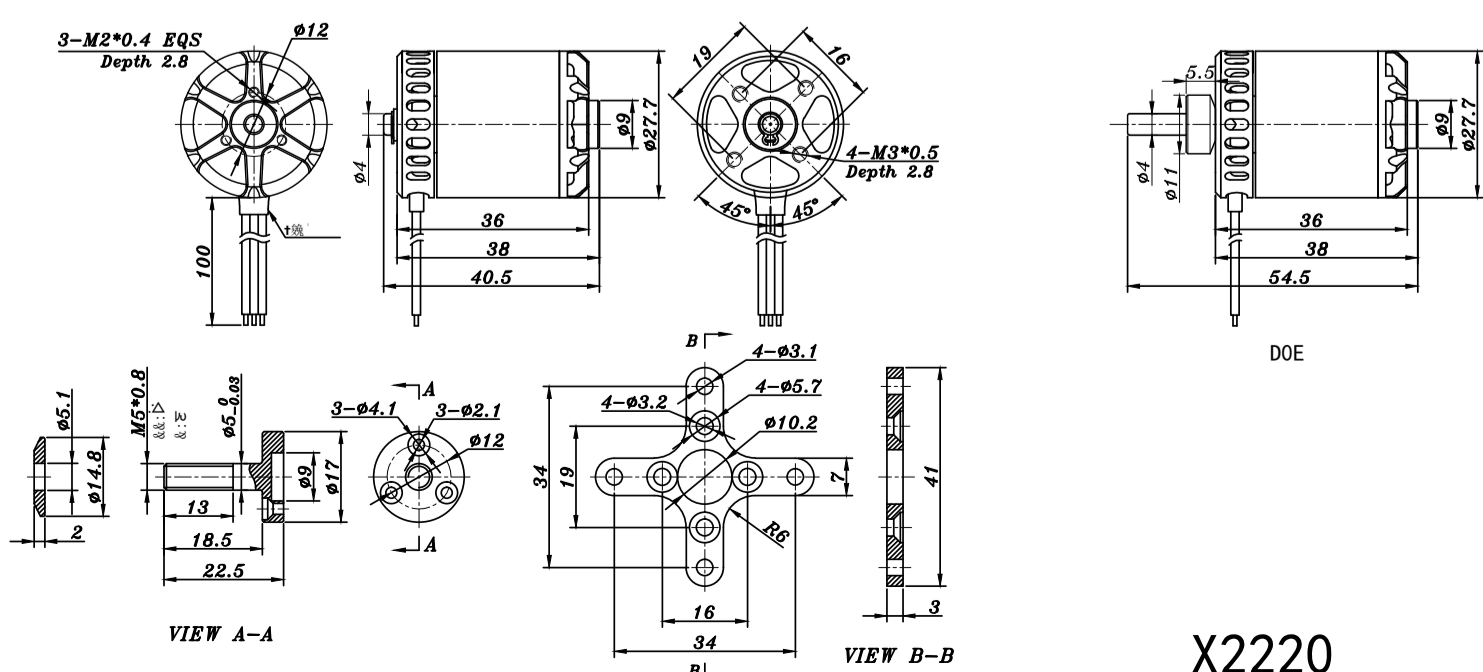
SUNNYSKY

Specifications	X2220 KV1400		
Stator Diameter	定子外径	22mm	
Stator Thickness	定子厚度	20mm	
No. of Stator Arms	定子槽数	12	
No. of Rotor Poles	转子极数	14	
Motor KV	电机KV值	1380	
No-Load Current (A/10V)	空载电流	1.5A	
Motor Resistance	电机电阻	29mΩ	
Max Continuous Current	最大连续电流	45A/30s	
Max Continuous Power	最大连续功率	745W	
Weight	重量	85g	
Rotor Diameter	转子直径	27.7mm	
Body Length	电机长度 (不含轴长)	38mm	
Max Lipo Cell	支持锂电节数	3S	
ESC	建议使用电调	40-60A	
Recommended Prop(inch)	推荐螺旋桨规格	APC9045	APC9047
		APC9060	APC8060

AEROBATIC(适用特技机重量) 1000g (3S 9060\9047\9045) 4S 8060

适用3D机重量 750-850g (3S 9047\9060)

Prop (inch)	Voltage (V)	Amps (A)	Thrust (gf)	Watts (W)	Efficiency (g/W)	RPM	Load temperature in 100% throttle 全油门负载温度
APC9045	11.1	1.2	100	13.32	7.51	3343	59°C 10min
		2.6	200	28.86	6.93	4698	
		4.4	300	48.84	6.14	5640	
		6.1	400	67.71	5.91	6606	
		7.9	500	87.69	5.70	7347	
		9.7	600	107.67	5.57	8017	
		12	700	133.2	5.26	8581	
		14.3	800	158.73	5.04	9005	
		16.5	900	183.15	4.91	9618	
		19	1000	210.9	4.74	10146	
		21.8	1100	241.98	4.55	10668	
		25.1	1200	278.61	4.31	11082	
		28.3	1300	314.13	4.14	11580	
		31.8	1400	352.98	3.97	11778	
36	1500	399.6	3.75	12354			
APC9047	11.1	1.1	100	12.21	8.19	3279	54°C 10min
		2.3	200	25.53	7.83	4604	
		4.1	300	45.51	6.59	5712	
		5.8	400	64.38	6.21	6517	
		7.5	500	83.25	6.01	7282	
		9.4	600	104.34	5.75	8017	
		11.7	700	129.87	5.39	8710	
		13.8	800	153.18	5.22	9401	
		16	900	177.6	5.07	9940	
		18.5	1000	205.35	4.87	10541	
		20.7	1100	229.77	4.79	10958	
		23.7	1200	263.07	4.56	11507	
		26.7	1300	296.37	4.39	12060	
		30.4	1430	337.44	4.24	12680	
APC9060	11.1	1.2	100	13.32	7.51	3122	67°C 10min
		2.5	200	27.75	7.21	4370	
		4.2	300	46.62	6.44	5272	
		6.3	400	69.93	5.72	6002	
		8.5	500	94.35	5.30	6736	
		10.4	600	115.44	5.20	7406	
		12.5	700	138.75	5.05	8006	
		15.1	800	167.61	4.77	8407	
		18.5	900	205.35	4.38	8882	
		20.8	1000	230.88	4.33	9333	
		24.1	1100	267.51	4.11	9776	
		27.8	1200	308.58	3.89	10158	
		31.4	1300	348.54	3.73	10604	
		36.6	1400	406.26	3.45	10873	
40.9	1549	453.99	3.41	11679			



X2220