

**I. Specification:**

Camera	1	Effective Pixel Array	976 (H) x 496(V)
	2	Pixel Size	5.00 um x 7.40 um
	3	Effective Image Area	4.88 mm x 3.67 mm
	4	Optical Format	1/3inch, RGBBayerfilter
	5	Dynamic Range	63.5 [dB]
	6	SNR	46.4 [dB]
	7	Video Output	1V±0.2Vp-p/75Ω
	8	TVSystem:	PAL/NTSC
	9	Operating Voltage:	+6.0V ~ +30.0V
RF Transmitter	1	TransmittingFrequency:	ISM 5.6GHz-5.95GHz 32 CH
	2	Supplycurrent:	110mA±10mA
	3	VideoInputLevel:	1V±0.2Vp-p/75Ω
	4	AudioInputLevel:	0.5 ~ 2.0Vp-p/10KΩ
	5	TVSystem:	PAL/NTSC/SECAM (AUTO)
	6	RFOutputPower:	200mW(23dBm±0.5dBm)
	7	AntennaConnector:	SMA Connector
	8	Operating Temperature:	-10°C ~ +85°C
Servo	1	Control System	Positive PWM control(1500 usec Neutral)
	2	Operation Voltage Range	4.8V~6.0V
	3	Operation Temperature Range	-20°C ~ +60°C
	4	Standing Torque	1.0kg.cm
	5	Speed	0.14 sec/60 deg at no load
	6	Idle Current	70mA at stopped
	7	Running Current	390mA at no load
	8	Dead band width	5 usec
	9	Circle	15000 times
	10	Direction	Anti-clockwise/pulse travel 1500 to 900 usec
	11	Driver type	FET drive
	12	Motor Type	Coreless
	13	Potentiometer Type	Indirect
	14	Operation Travel	60°±10°
	15	Gear Material	150mm
	16	Case Material	26AWG,Futaba universal
	17	Connector Wire Length	Negative
	18	Connector Wire Gauge	Positive
	19	Wire Info (Brown)	Signal
	20	Amplifier Type	Analog

**2. Operating Frequency Table**

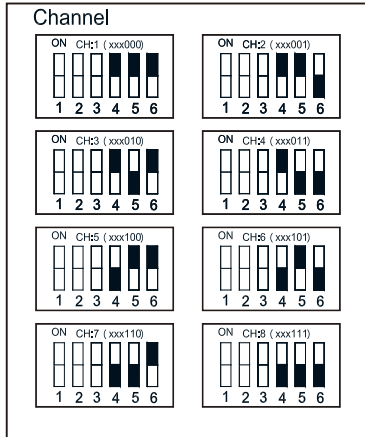
CH GROUP \ CH	CH 1	CH 2	CH 3	CH 4	CH 5	CH 6	CH 7	CH 8
A	5865MHz	5845MHz	5825MHz	5805MHz	5785MHz	5765MHz	5745MHz	5725MHz
b	5733MHz	5752MHz	5771MHz	5790MHz	5809MHz	5828MHz	5847MHz	5866MHz
C	5705MHz	5685MHz	5665MHz	5645MHz	5885MHz	5905MHz	5925MHz	5945MHz
d	5740MHz	5760MHz	5780MHz	5800MHz	5820MHz	5840MHz	5860MHz	5880MHz

3. Features:

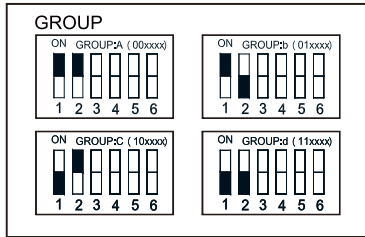
- ❖ 32 Channel
- ❖ Built two servos can be rotated horizontally and vertically rotating
- ❖ Built-in high definition camera can output, external OSD, easy to use
- ❖ Large input voltage range
- ❖ Unique appearance

4. Operation and Figures

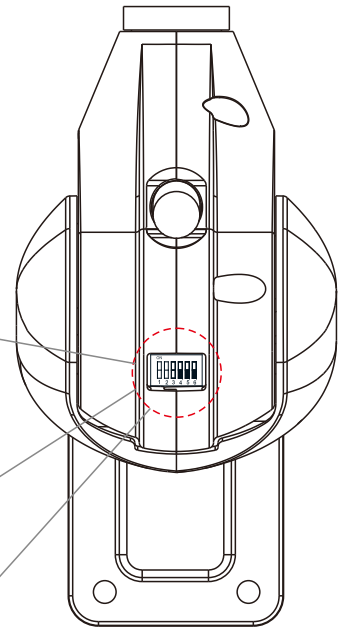
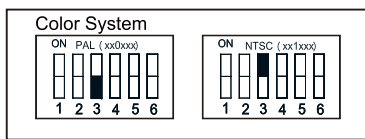
Channel Select



Group Select



Color System Select



Top View

Signal line

- 1):3PIN: DuPont (black, red and white): Servo cable(article 2)
- 2):3PIN: JST(red and black): Power and GND  
 DuPont (blue): Video out
- 3):1PIN: DuPont (yellow):Video in  
 DuPont (black): GND

