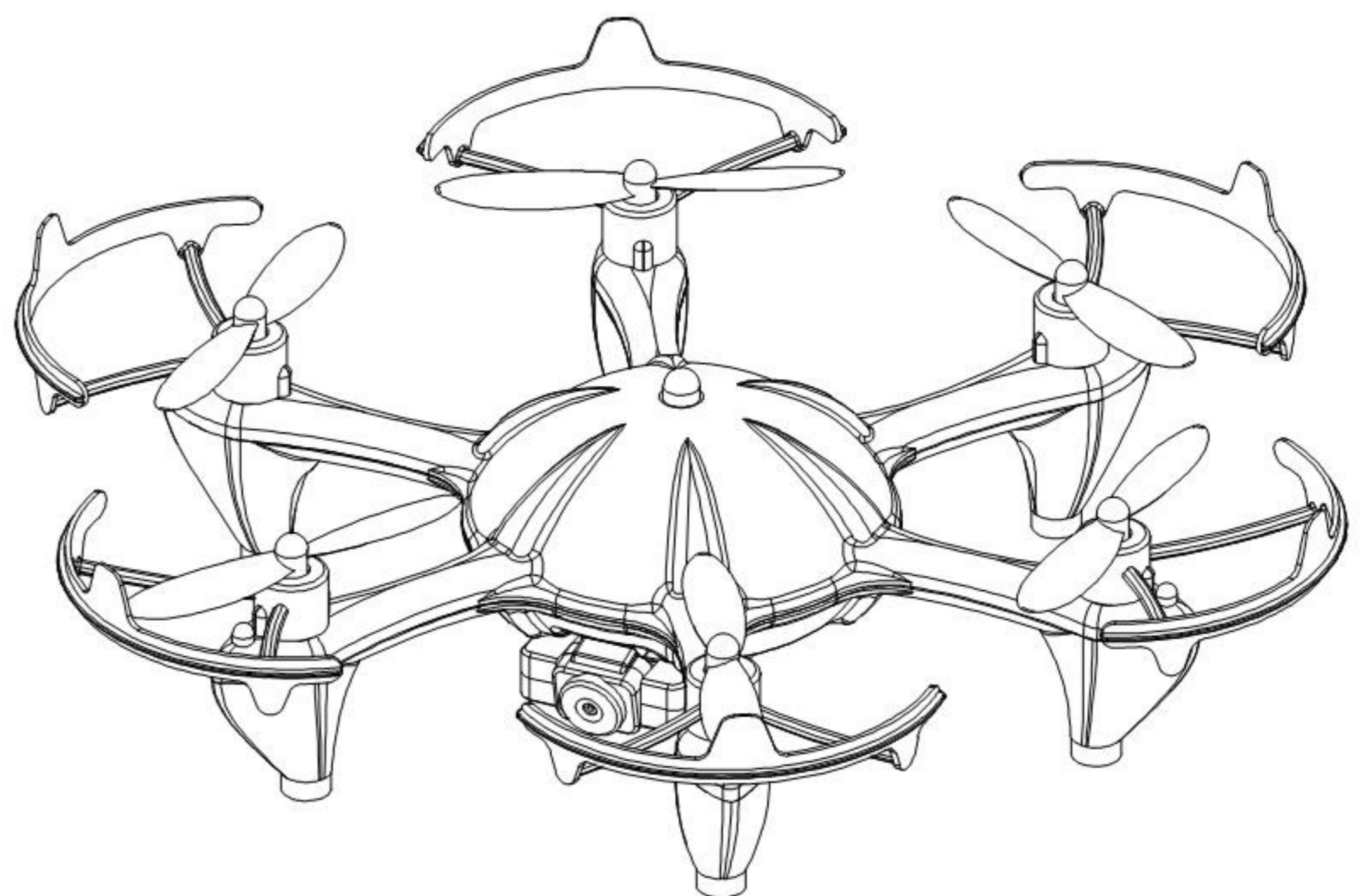
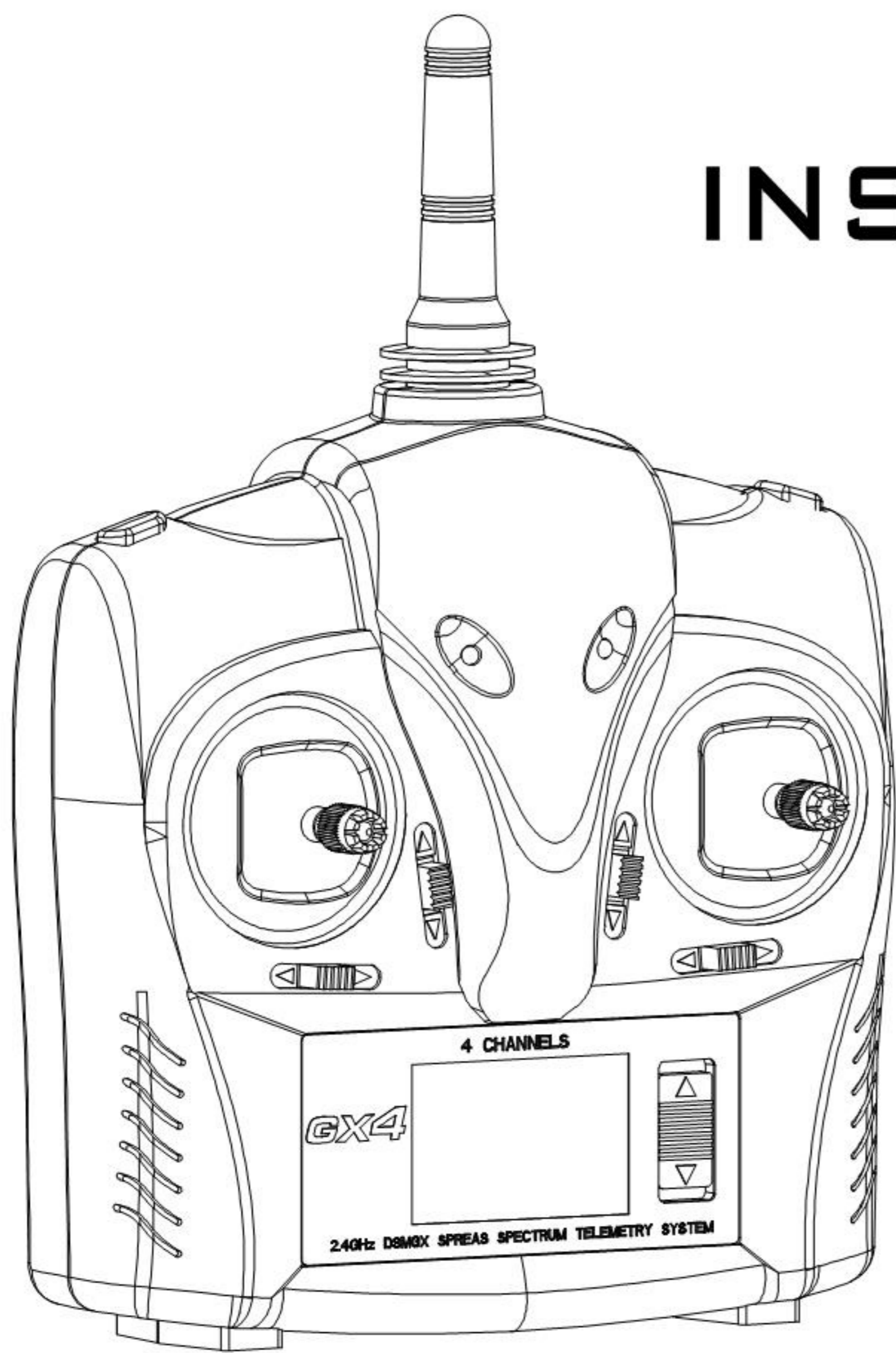


2.4G



EACHINE-X6

INSTRUCTION MANUAL



EACHINE-X6

Thank you for buying EACHINE-X6 products. The EACHINE-X6 is the latest technology in Rotary RC models. Please read this manual carefully before assembling and flying the New EACHINE-X6 helicopter. We recommend that you keep this manual for future reference regarding and maintenance

WARNING LABEL LEGEND



Mishandling due to failure to follow these instructions may result in damage or injury.



Do not attempt under any circumstances



Mishandling due to failure to follow these instructions may result in danger.

SAFETY NOTES

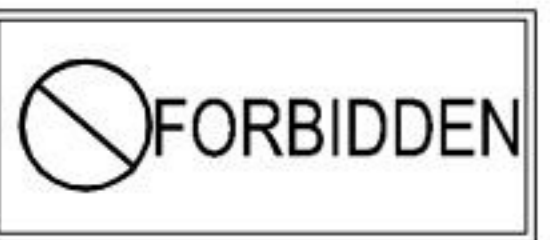


Fly only in safe areas, away from other people. Do not operate R/C aircraft within the vicinity of homes or crowds of people. R/C aircraft are prone to accidents, failures, and crashes due to a variety of reasons including, lack of maintenance, pilot error, and radio interference. Pilots are responsible for their actions and damage or injury occurring during the operation or as a result of R/C aircraft models. This is not a toy, not suitable for children under 14.



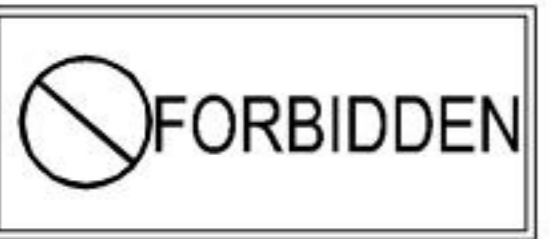
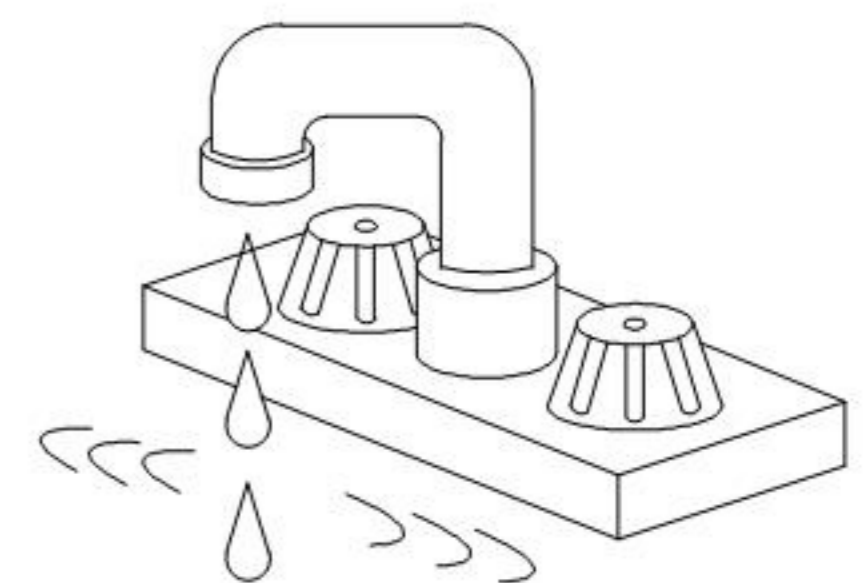
LOCATE AN APPROPRIATE LOCATION

R/C helicopters fly at high speed, thus posing a certain degree of potential danger. Choose an appropriate legal flying field consisting of flat, smooth ground without obstacles. Do not fly near buildings, high voltage cables, or trees to ensure the safety of yourself, others and your model. For the first practice, please choose a legal flying field and can use a training skid to fly for reducing the damage. Do not fly your model in inclement weather, such as rain, wind, snow or darkness.



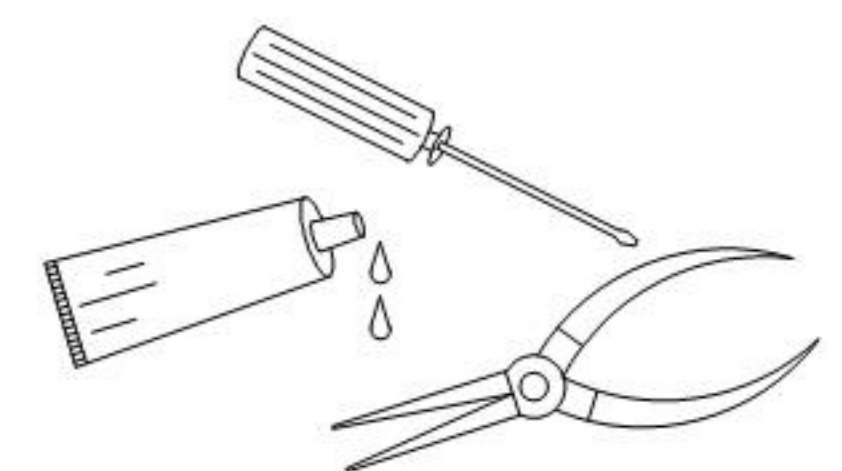
PREVENT MOISTURE

R/C models are composed of many precision electrical components. It is critical to keep the model and associated equipment away from moisture and other contaminants. The introduction or exposure to water or moisture in any form can cause the model to malfunction resulting in loss of use, or a crash. Do not operate or expose to rain or moisture.



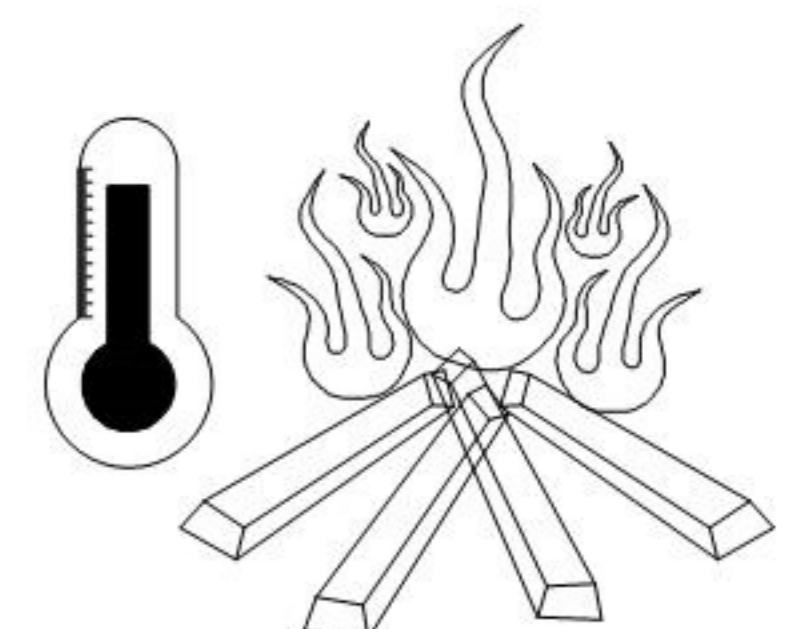
PREVENT OPERATION

Please use the replacement of parts on the manual to ensure the safety of instructors. This product is for R/C model, so do not use for other purpose.



KEEP AWAY FROM HEAT

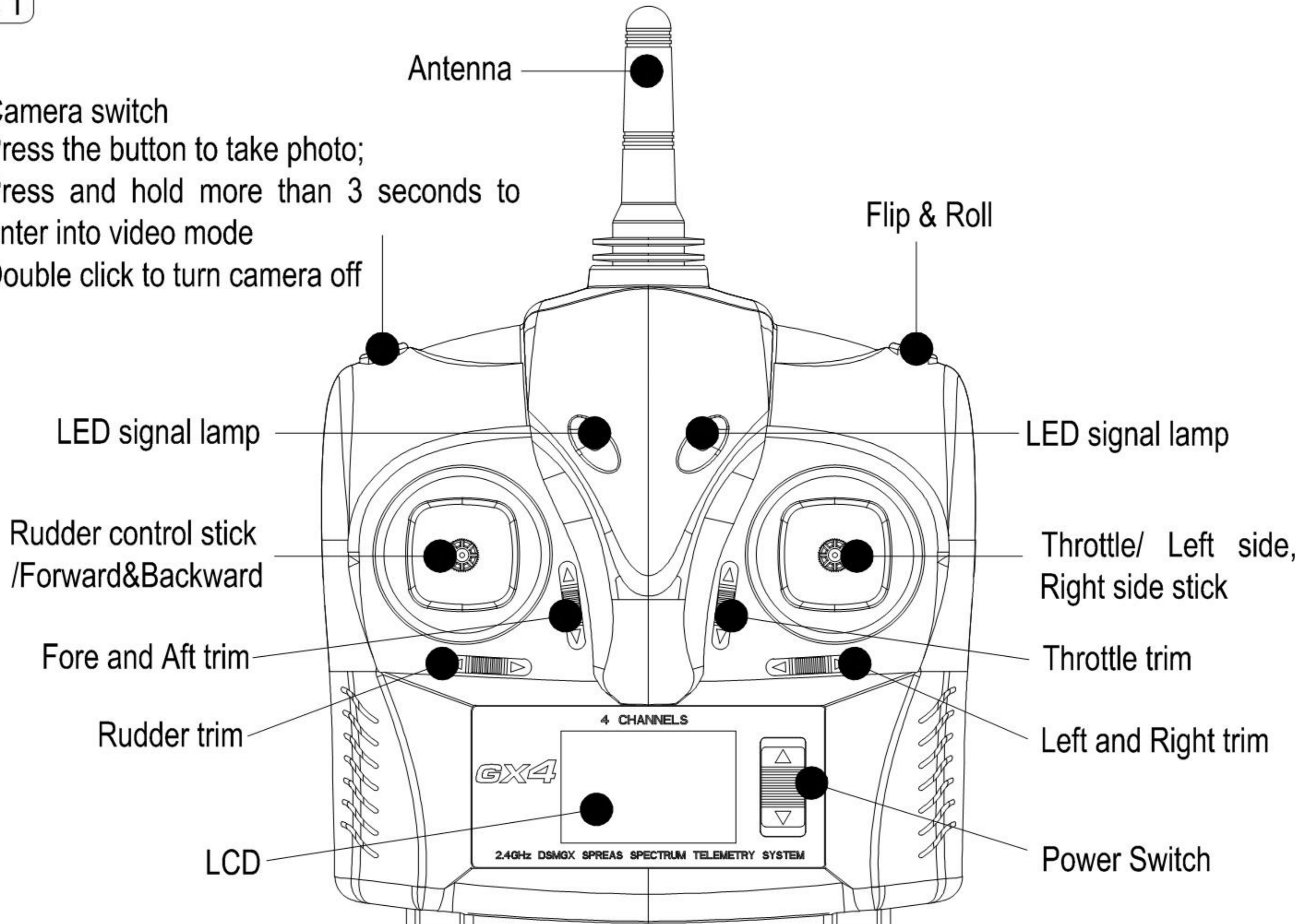
R/C models are made of various forms of plastic. Plastic is very susceptible to damage or deformation due to extreme heat and cold climate. Make sure not to store the model near any source of heat such as an oven, or heater. It is best to store the model indoors, in a climate-controlled, room temperature environment.



Model 1

Camera switch

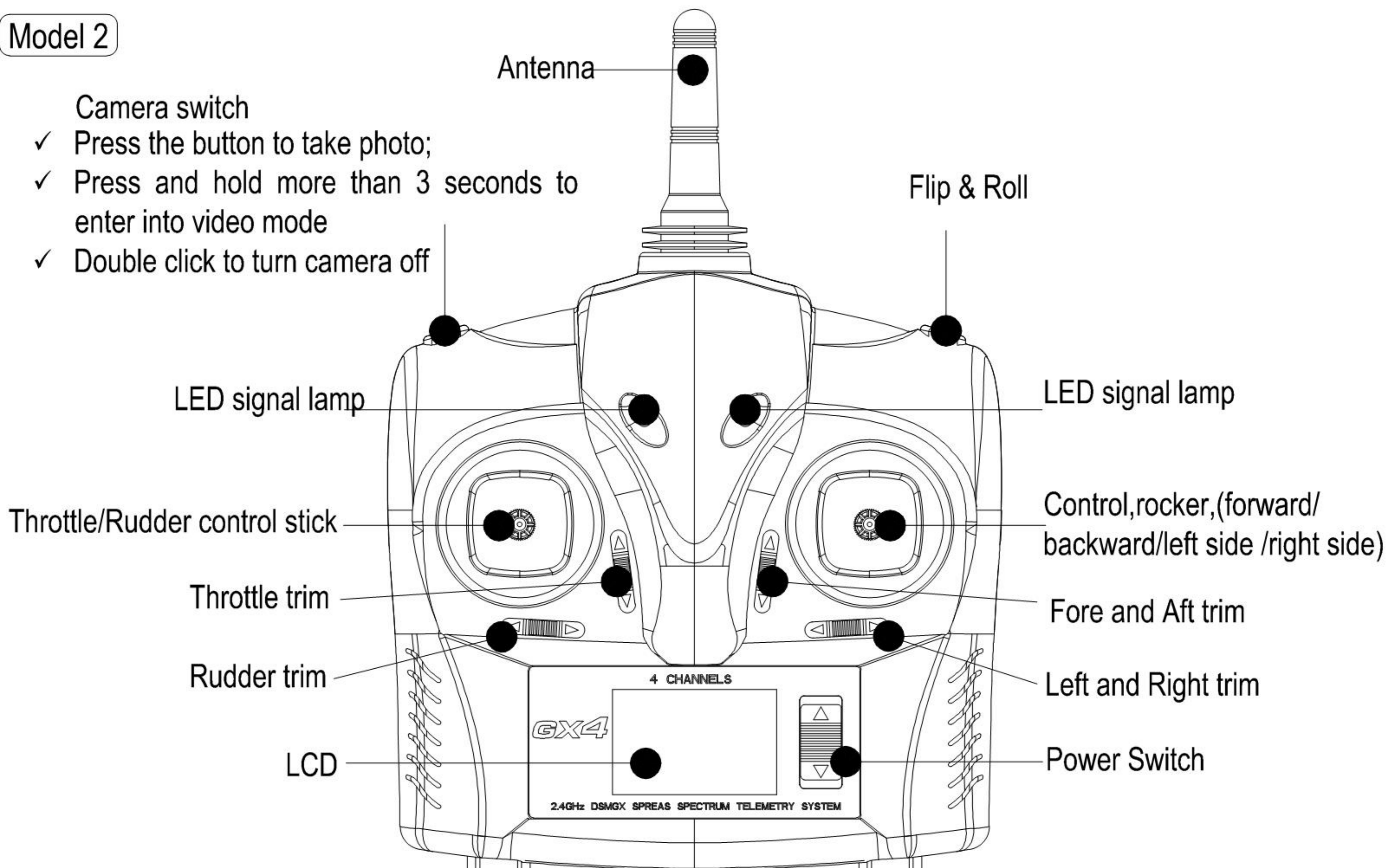
- ✓ Press the button to take photo;
- ✓ Press and hold more than 3 seconds to enter into video mode
- ✓ Double click to turn camera off



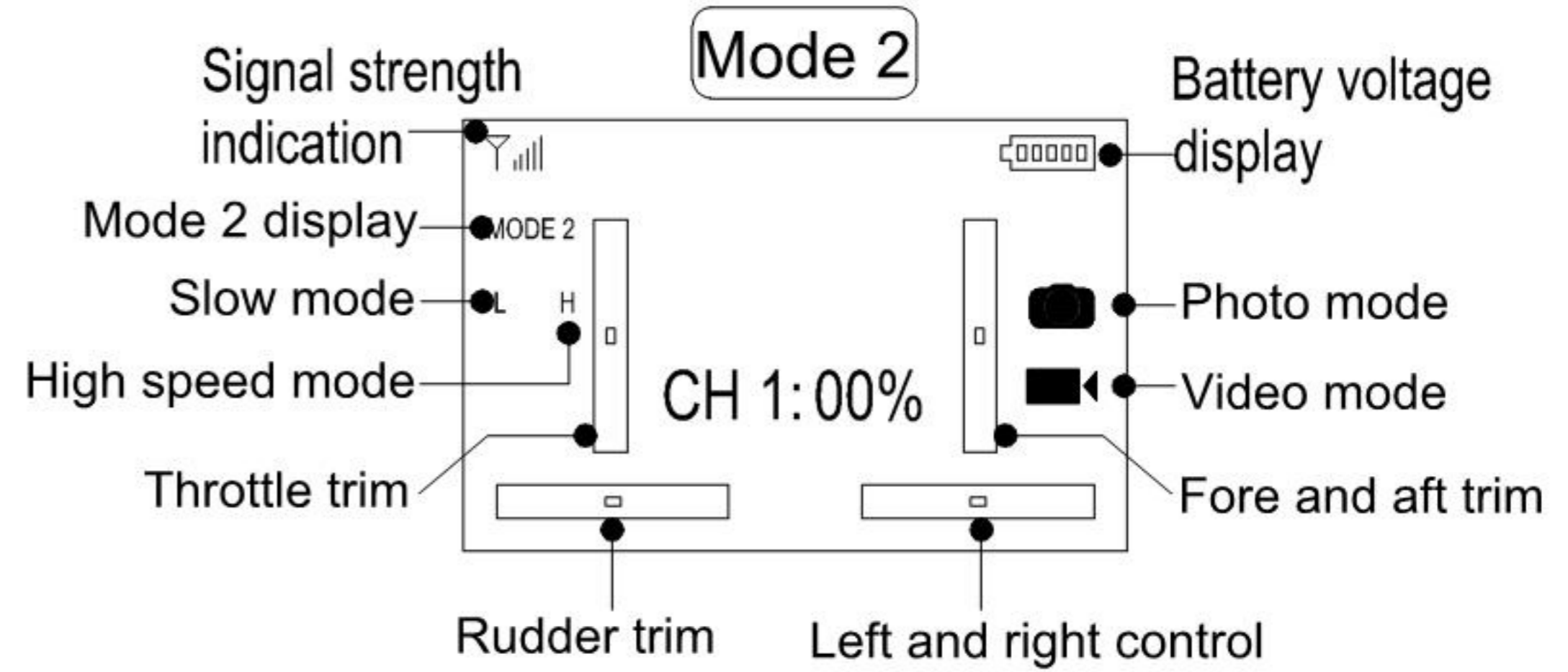
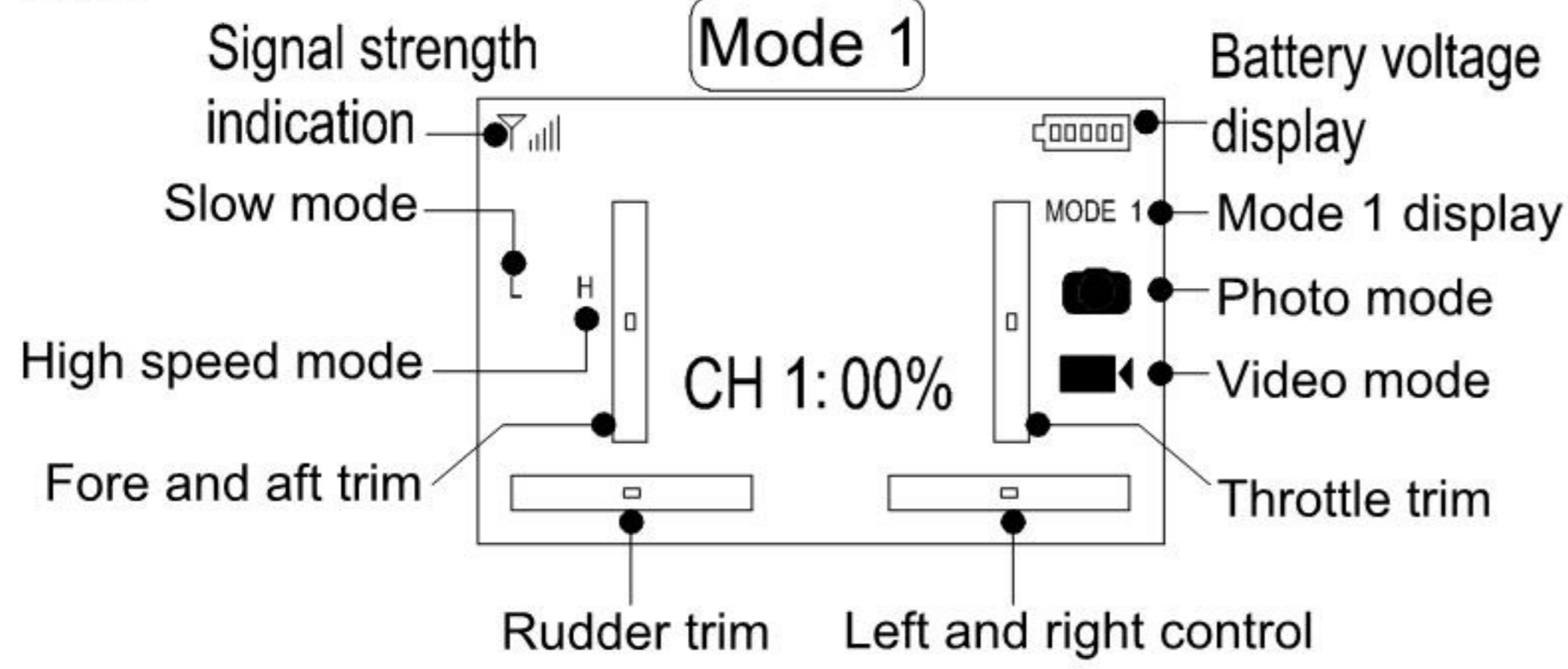
Model 2

Camera switch

- ✓ Press the button to take photo;
- ✓ Press and hold more than 3 seconds to enter into video mode
- ✓ Double click to turn camera off



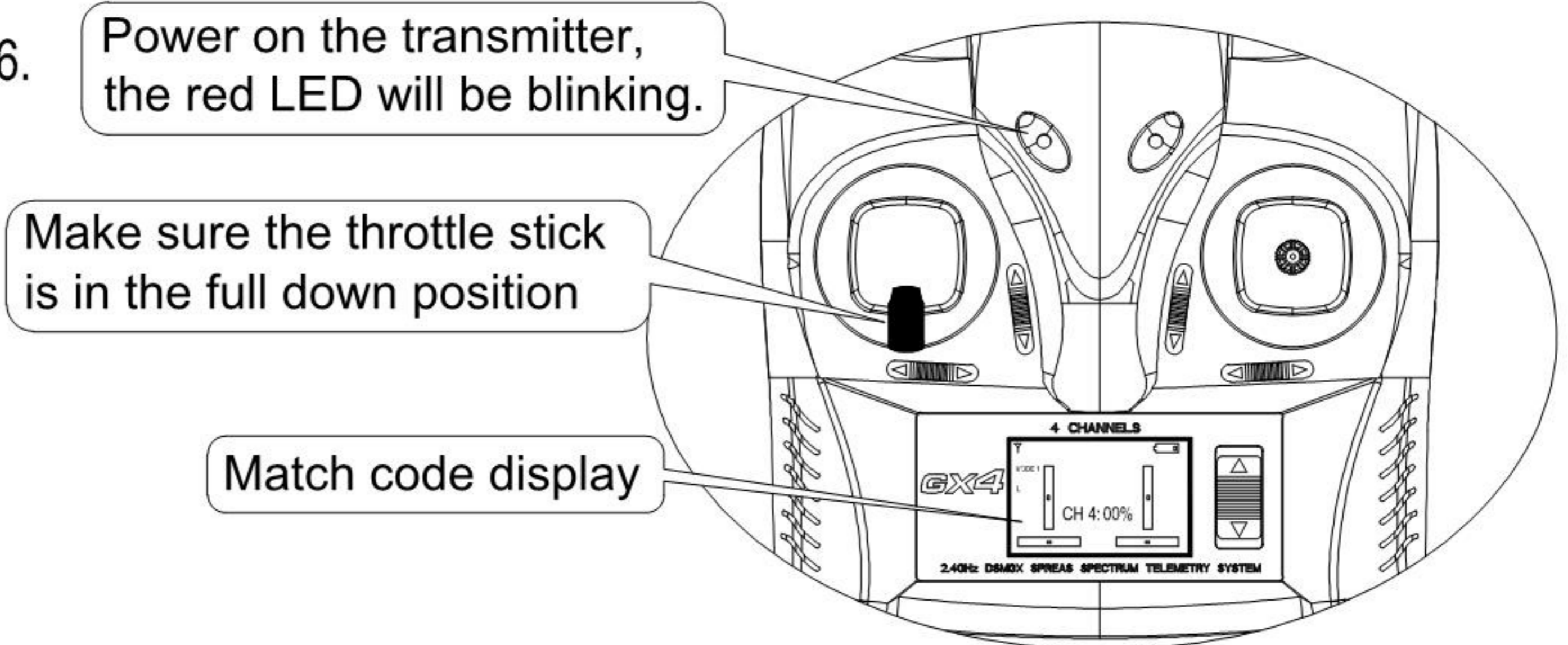
LCD



NOTE:
Match code : connect the transmitter and X6.

Match code (Mode 2)

- Step1:** A. Set the throttle trim to the full down position
- B. Turn the transmitter power switch on.

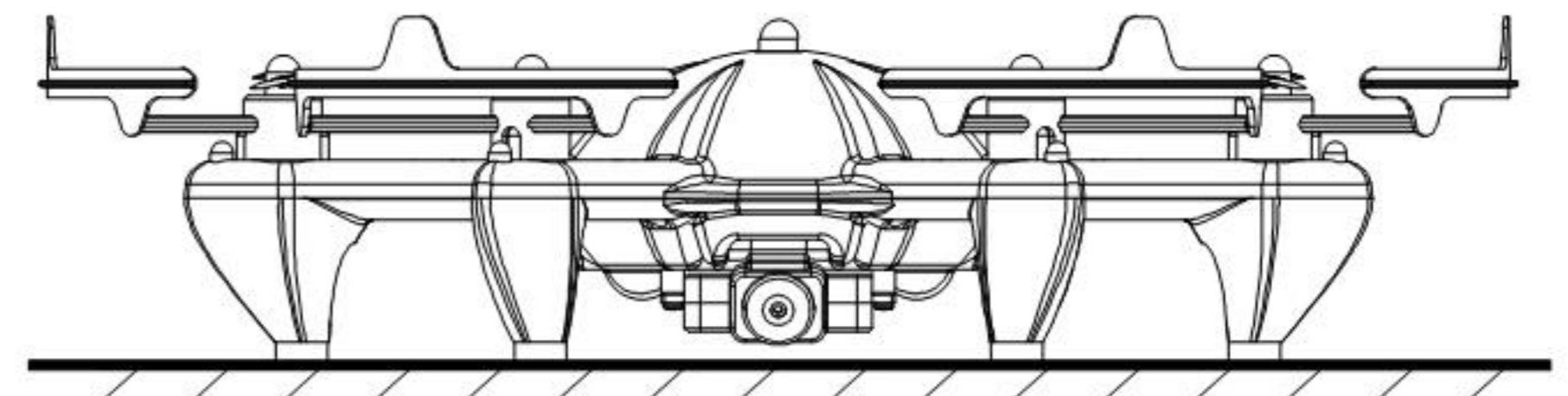


Step 2: Apply power on the X6 by connecting the battery plug with correct polarity. After electrify, please put the X6 on flat surfaces.

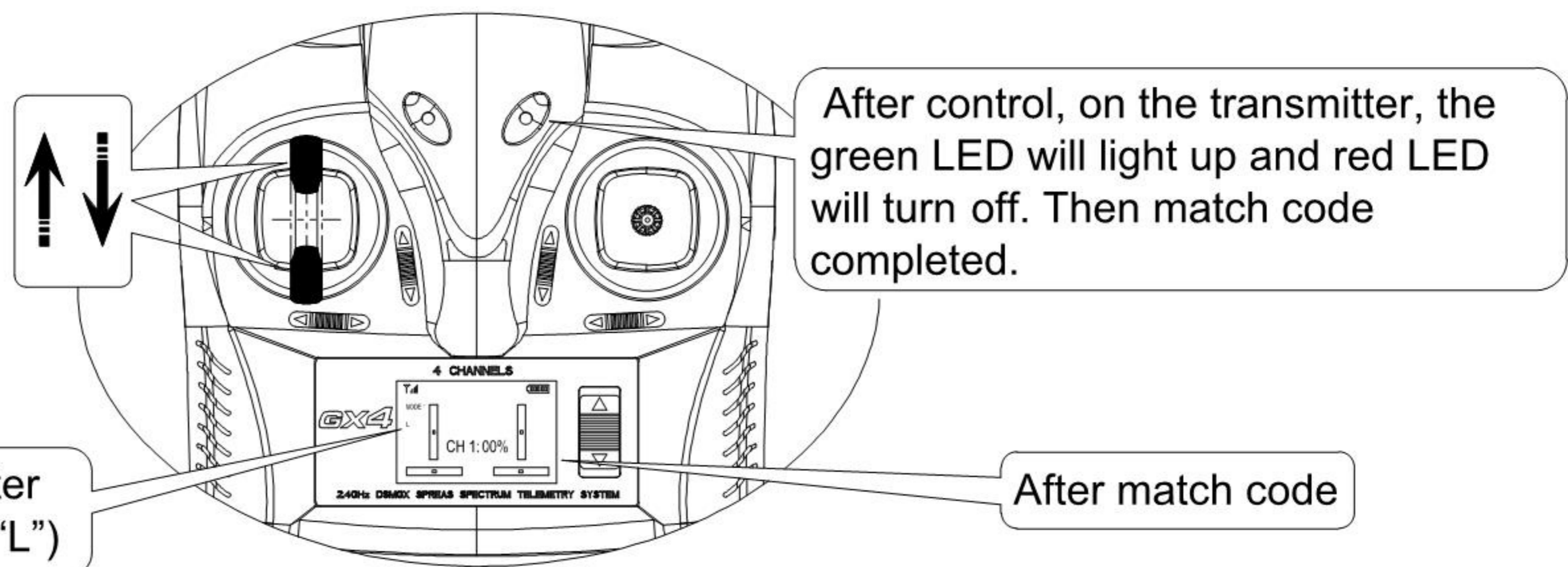


After electrify, the red LED on the transmitter will turn off and green LED will be blinking. Also the 7 LEDs on the X6 will be blinking and have two “beep” from the transmitter. (Note: if you do not hear the two “beep” from the transmitter, it means the transmitter does not connect the X6, and you need start again from stage 1.)

NOTE: After electrify, make sure X6 is put on the flat surface, as opposed to pillows or other soft surface. If not, it will cause the flight instability and in a systematic direction.

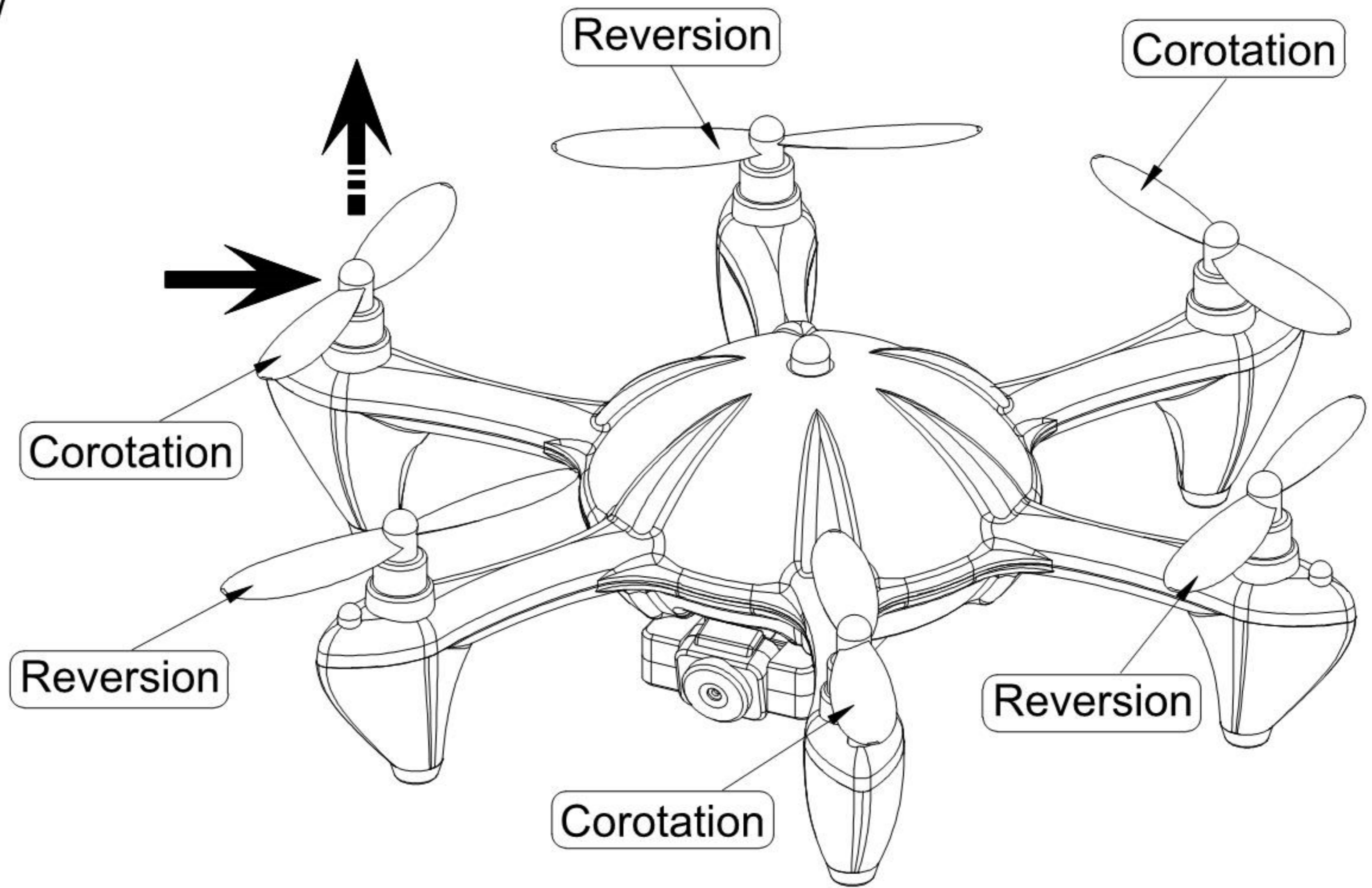
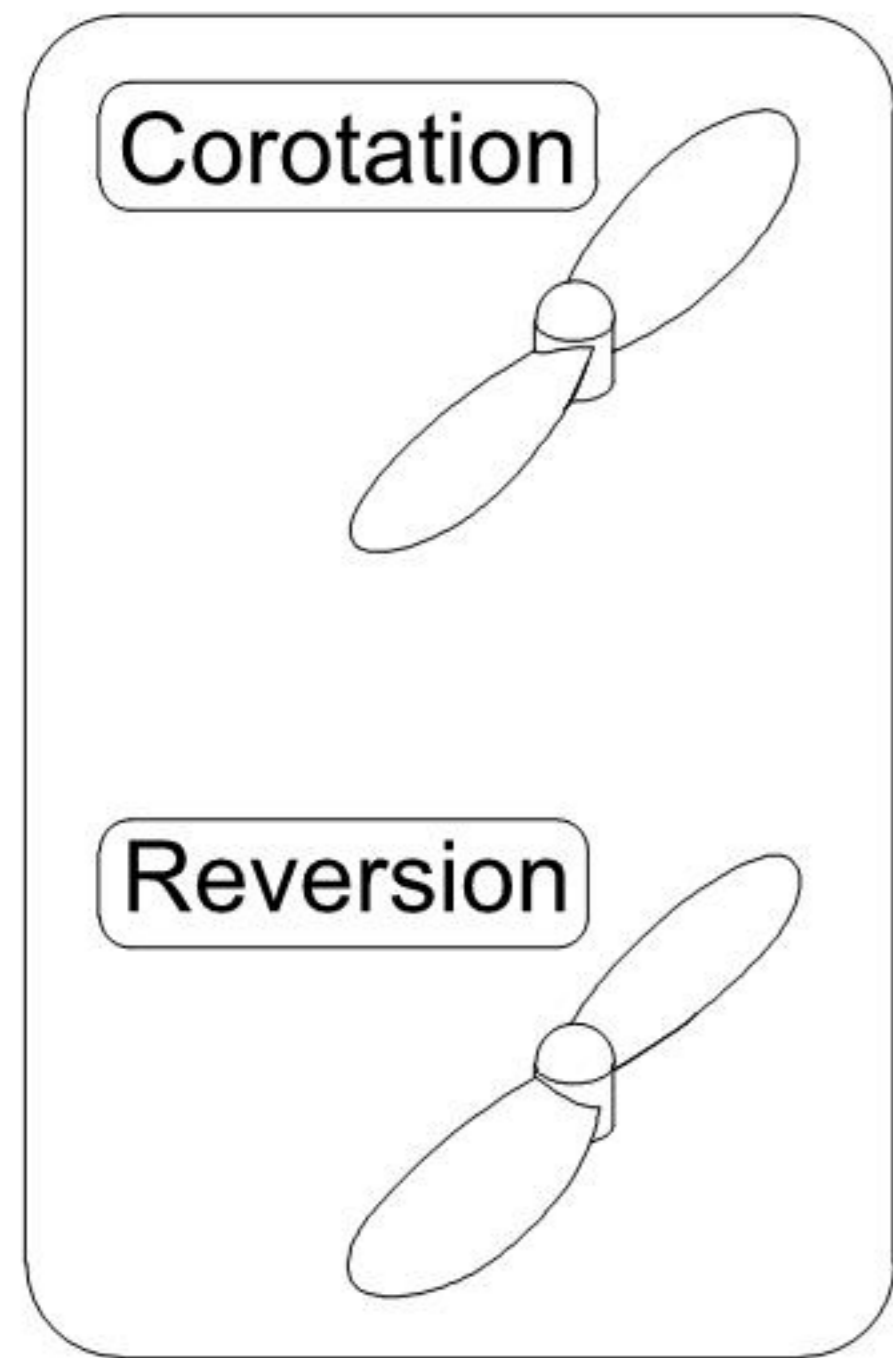


Stage 3: Firstly, push the throttle stick from full down position to up position (one “beep” means throttle stick is in the full up position), and then push the throttle stick back to the down position (one “beep” means the throttle stick is in the full down position). Pushes the throttle stick up and down repeatedly will make the transmitter identify the high and low position of throttle. It will make easy to control.

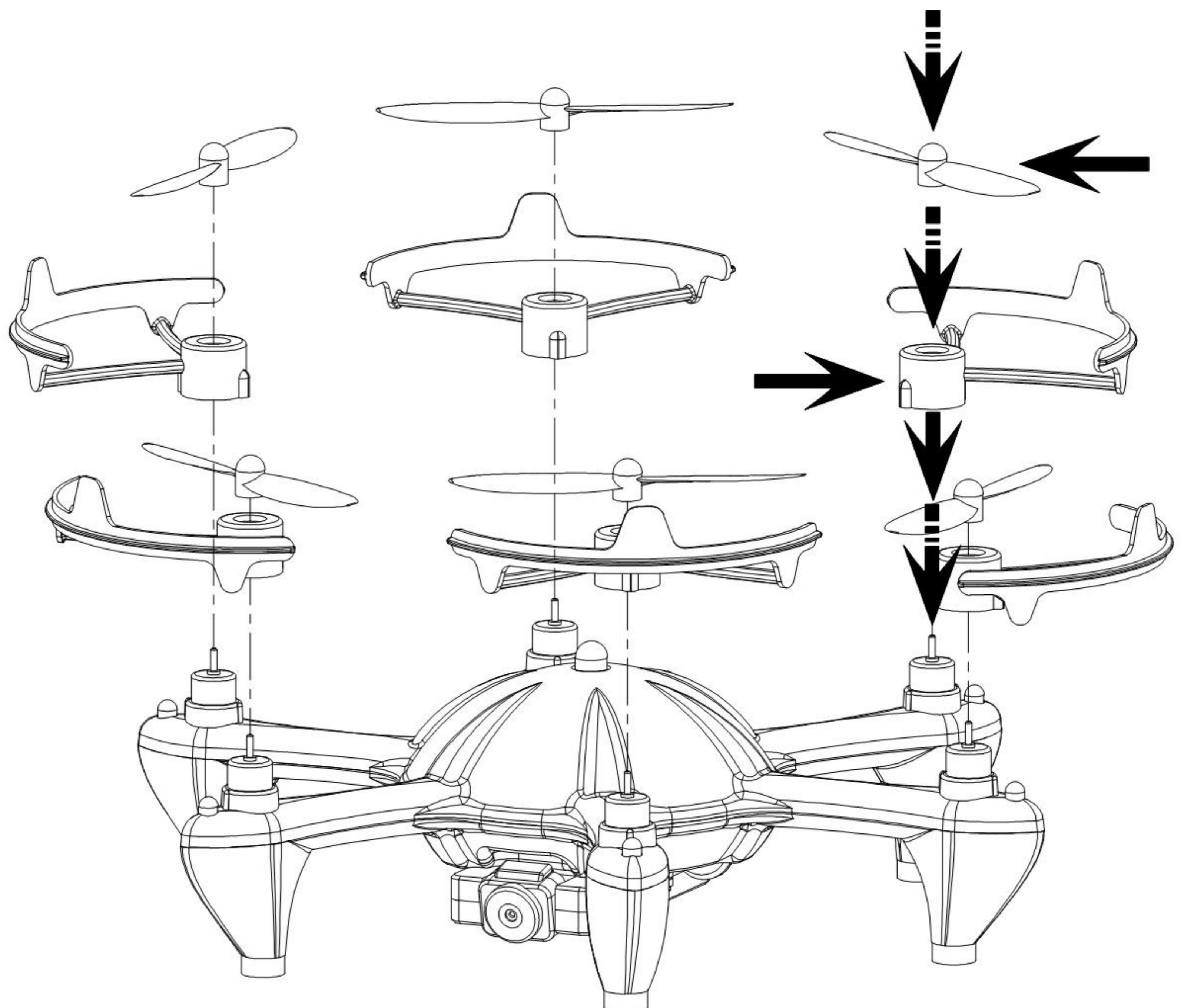


Complete the above steps, match code is finished. (The green LED on the transmitter and LED on the X6 will light up.)

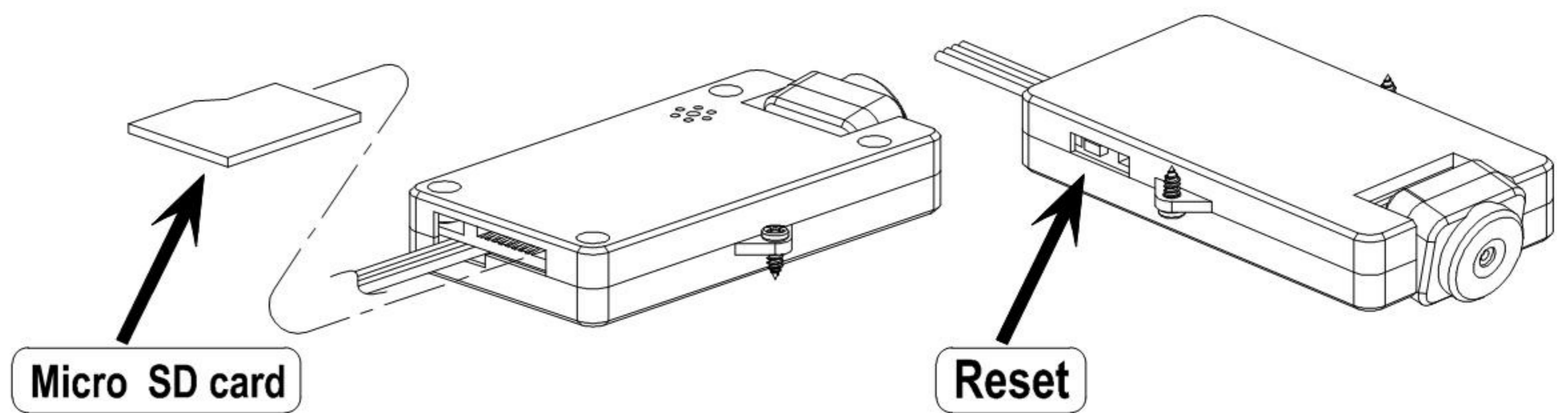
1. Pull props upwards slowly



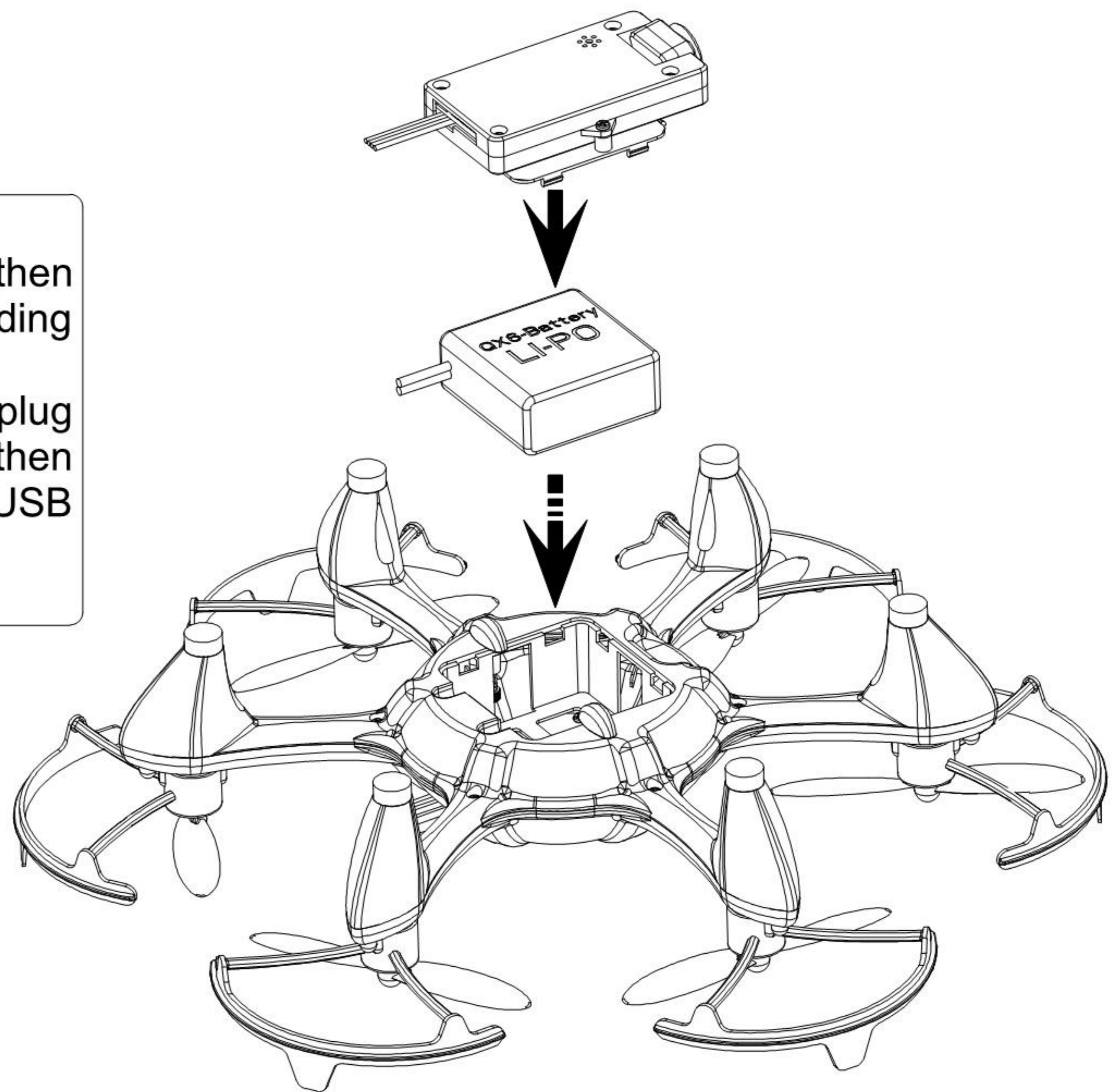
2. Position the cover's six holes with the motors. Press each of them on the motors, and then re-install the props in their correct positions on the X6.



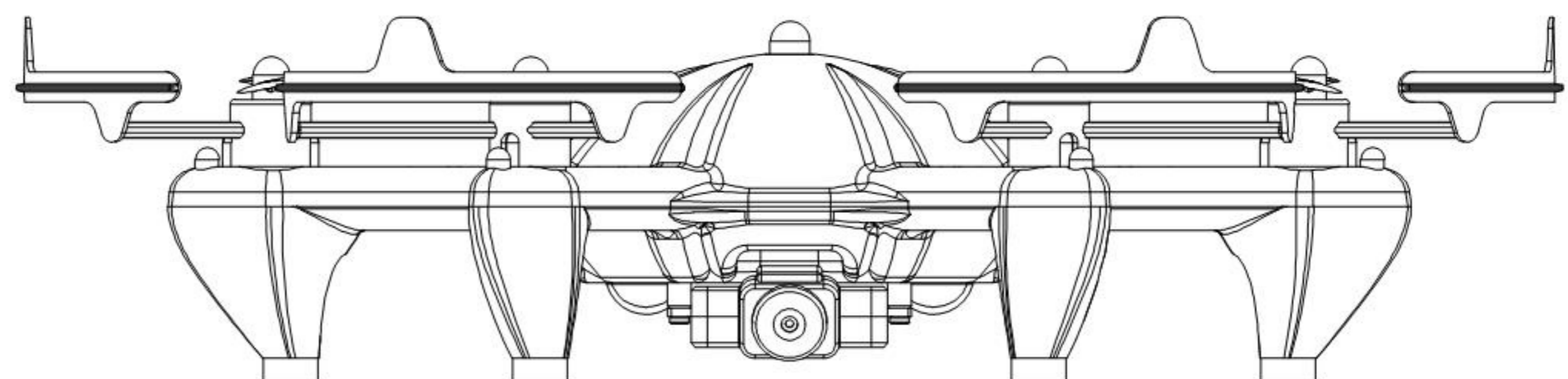
Camera Module
 X6 have built in SD card slot. You can take photo or video anytime and anywhere. And also can copy the photos or video timely.



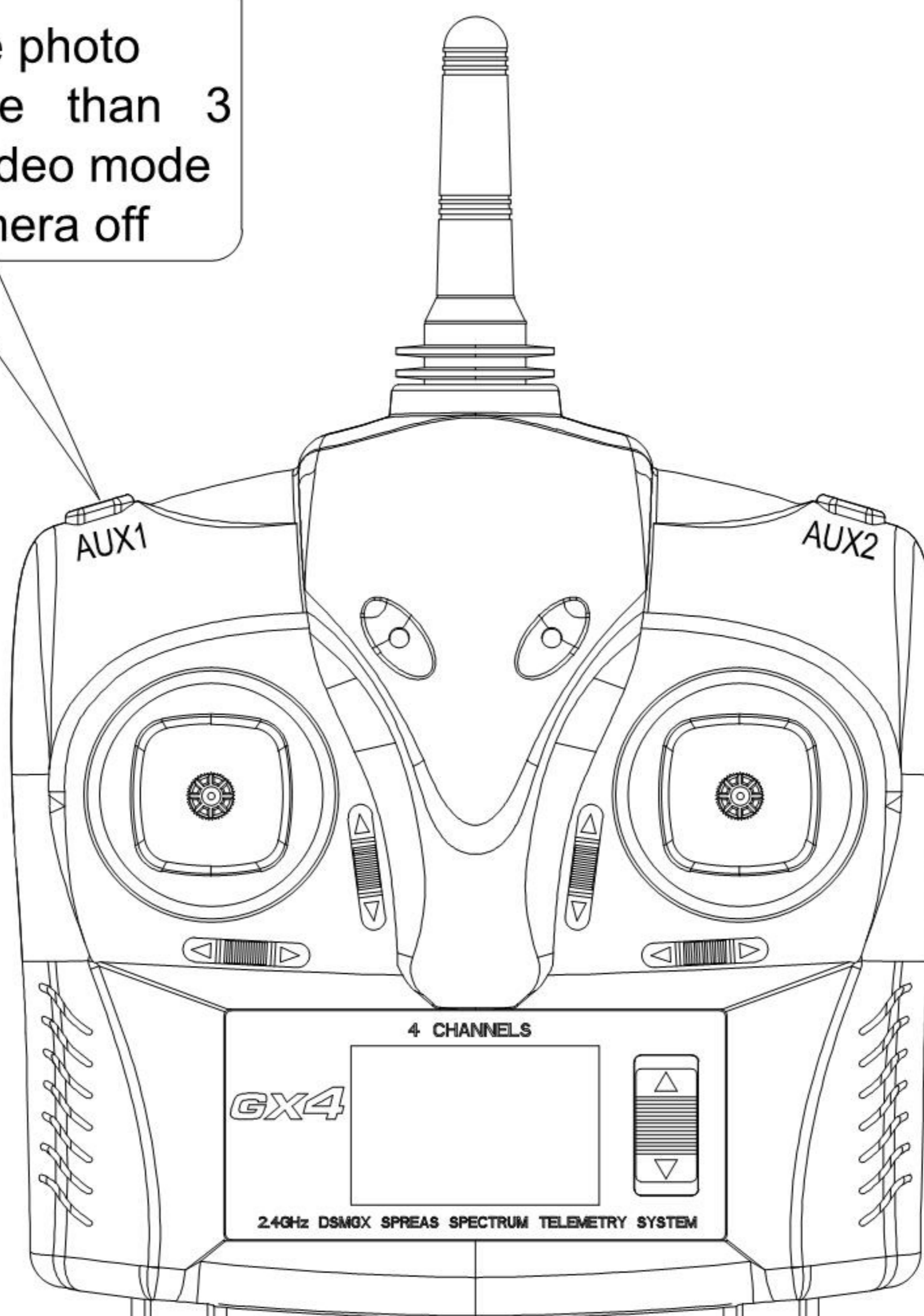
Battery Mounting:
 A. Take out the cover and then install Li-Po battery according to the correct polarities.
 B. Connect the battery plug with correct polarity. And then connect the camera's USB cable with the RX
 C. Return the cover.



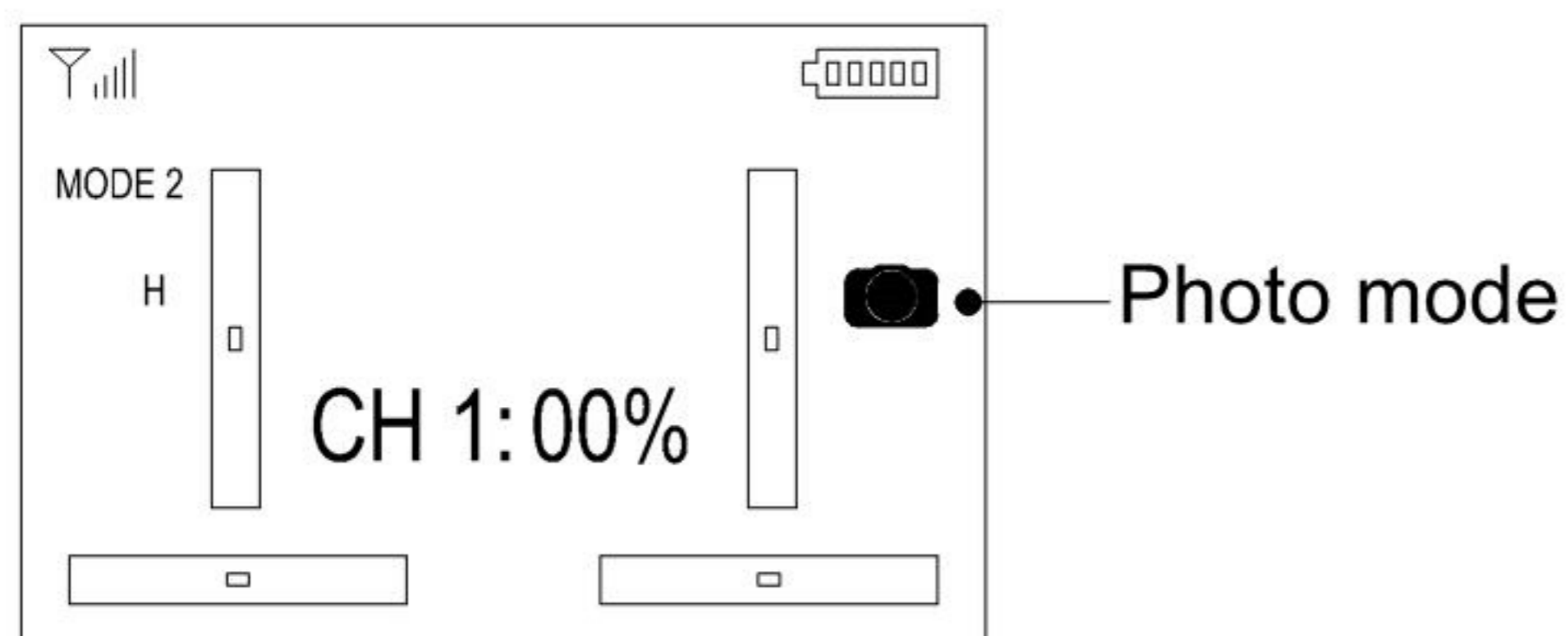
The side view after install



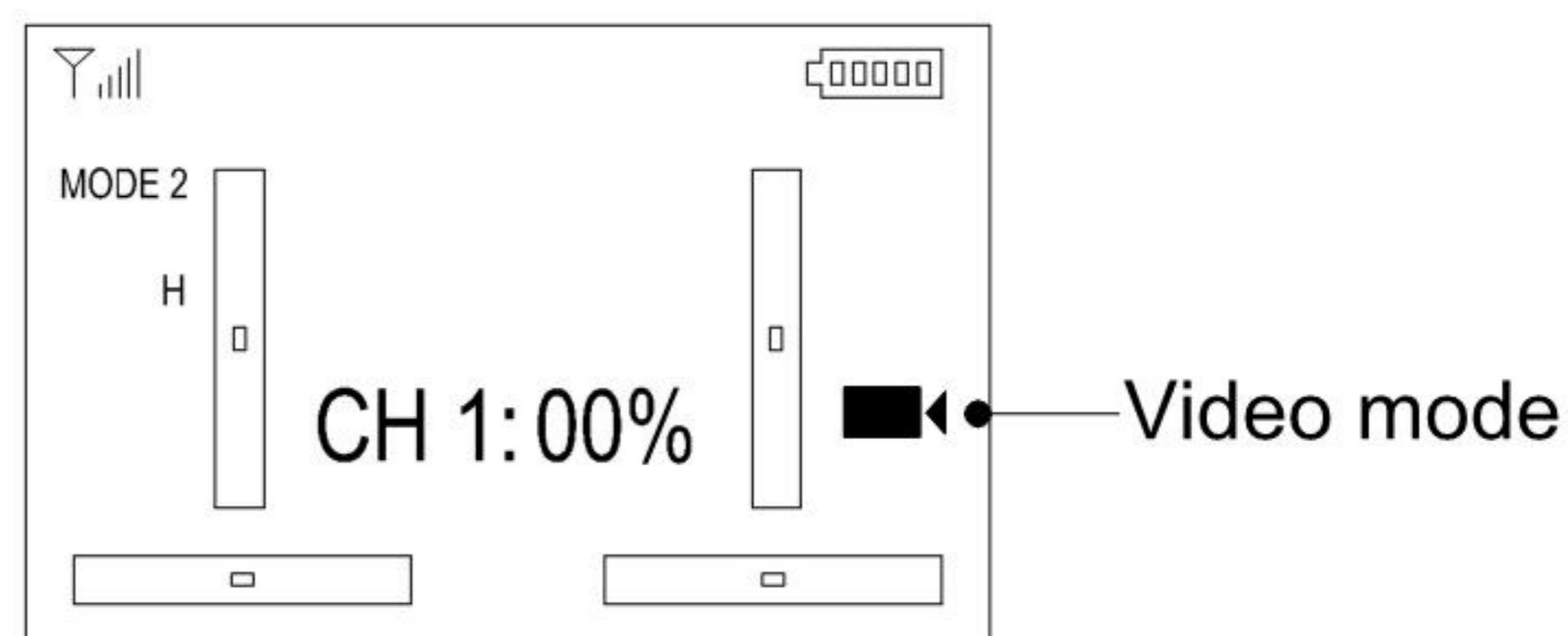
- Camera switch
- ✓ Press the button to take photo
 - ✓ Press and hold more than 3 seconds to enter into video mode
 - ✓ Double click to turn camera off

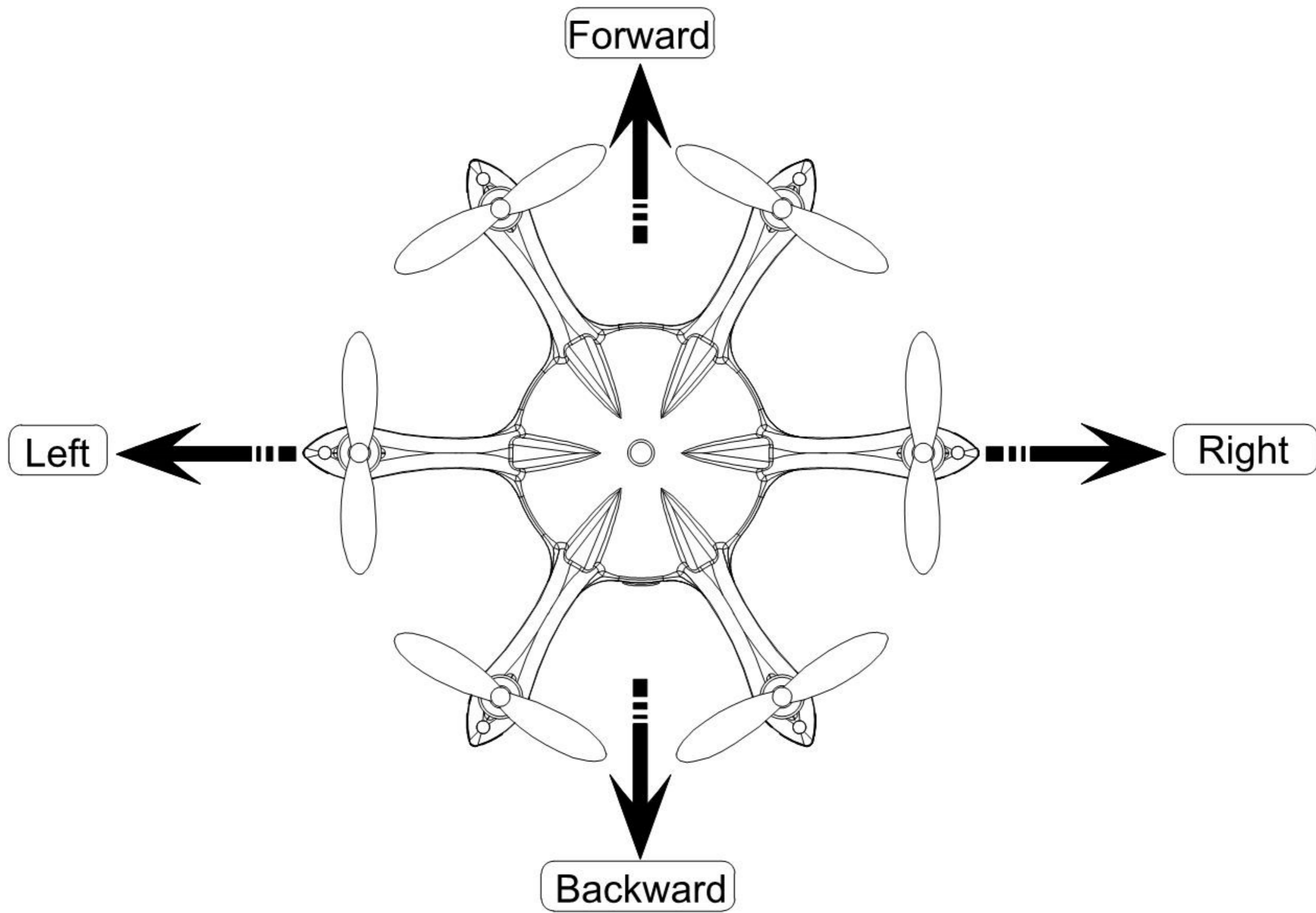


Click the “AUX1” button, transmitter has a “beep” and the camera icon appeared at LCD, it means take photo success. (Note: Press “AUX1” button once, the camera icon will appeared at LCD for one second.)



Press and hold the “AUX1” button more than 3 seconds, the transmitter has a “beep” and the video icon appeared at LCD. It means start shooting and video icon will always show on the LCD. If you want to turn the camera off, you need to double click the “AUX1” button, the transmitter will have two “beep” and video icon will disappear.





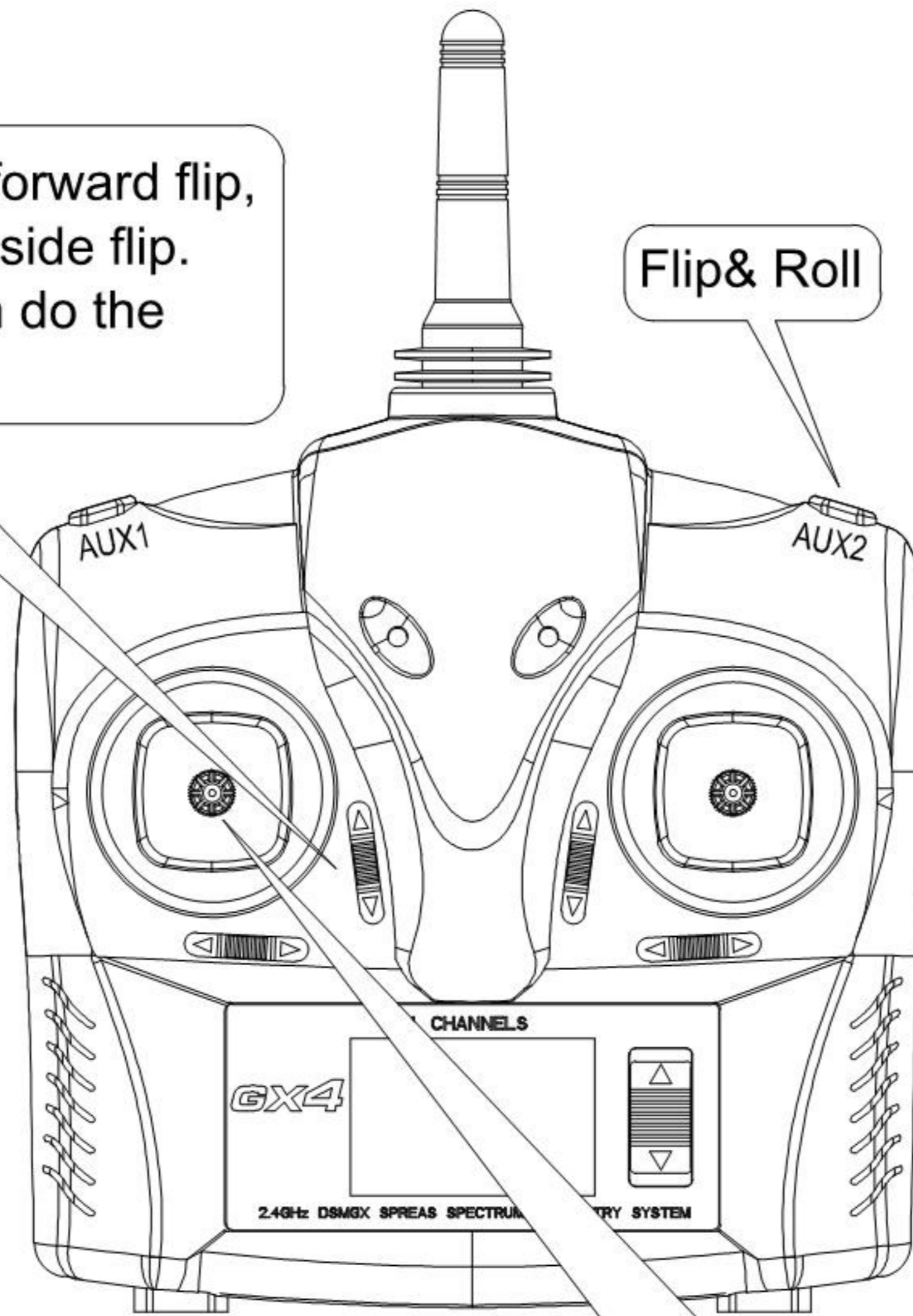
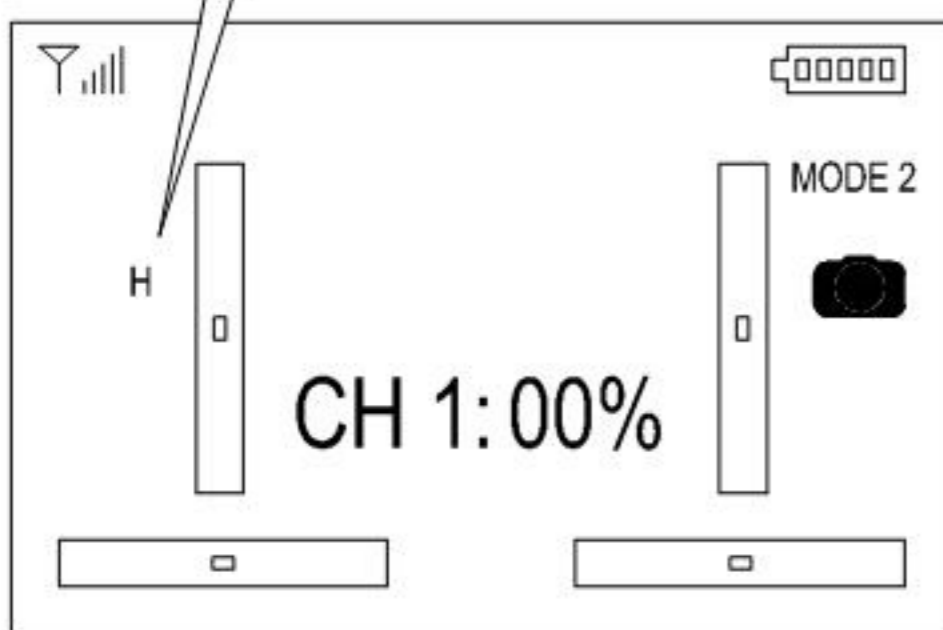
Mode 2:

In the "H" mode, X6 can do the forward flip, backward flip, left side flip, right side flip. But in the "L" mode, X6 only can do the 360° flip from one side.

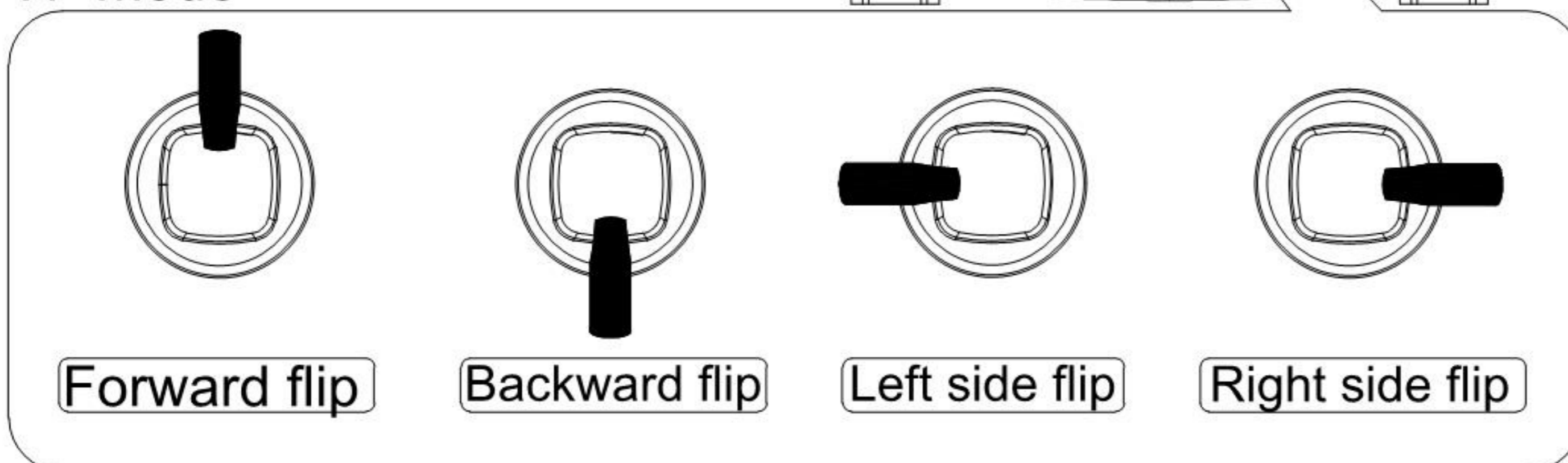
CAUTION

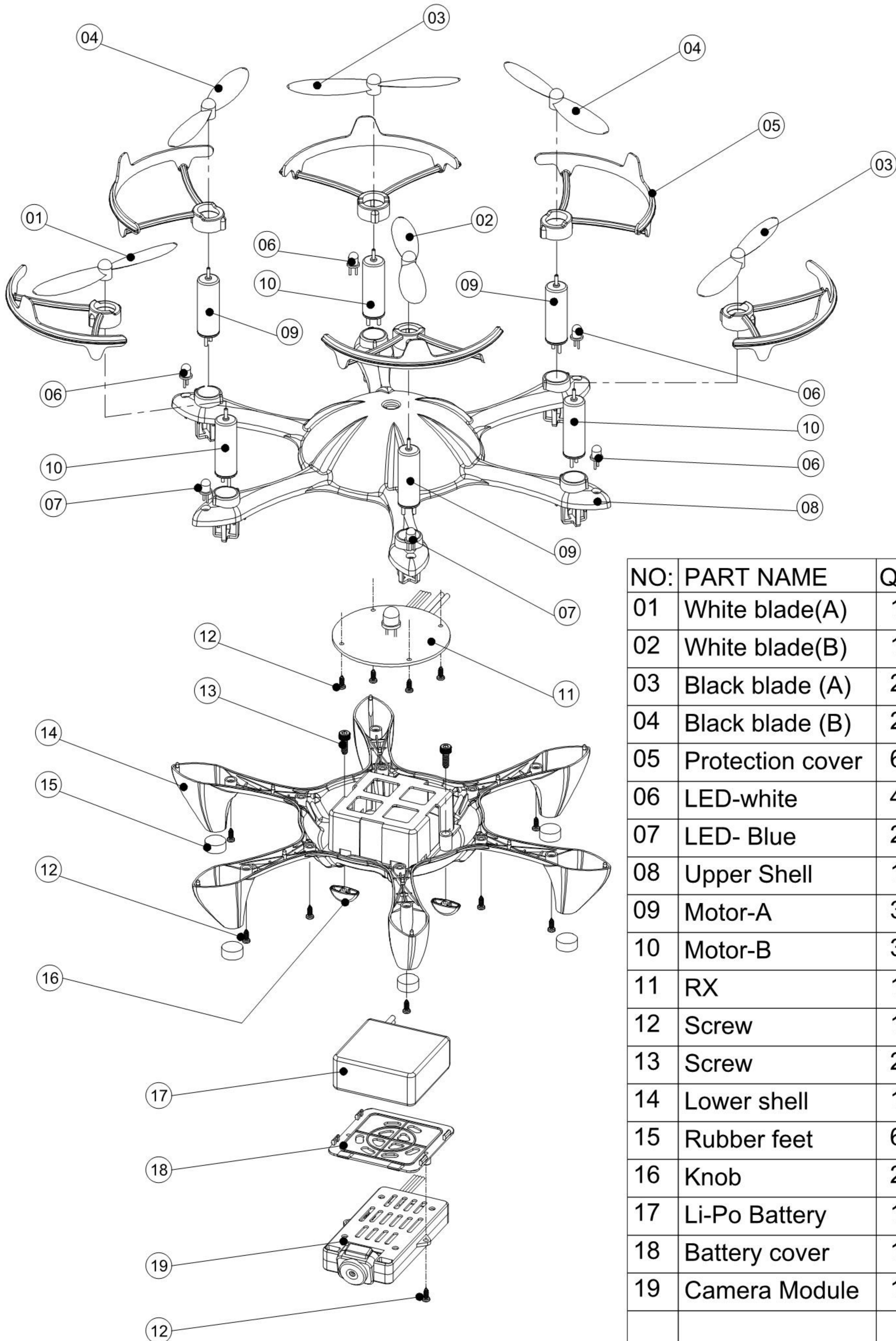
"L"
Press the "AUX2" button(click once will have one "beep"), the system will automatically do the backward flip, If want to do the 360° flip again, please repeat the previous step.

360° Flip Tips:"H"
Press and hold the "AUX2" button (click once will have one "beep"), at the same time control the "control rocker". Do the forward flip, just push the control rocker to the front and then release the "AUX2" button. ATTENTION: After the Aerial flip, need to release the "AUX2" button. If want to do the Aerial flip again, please repeat the previous step.



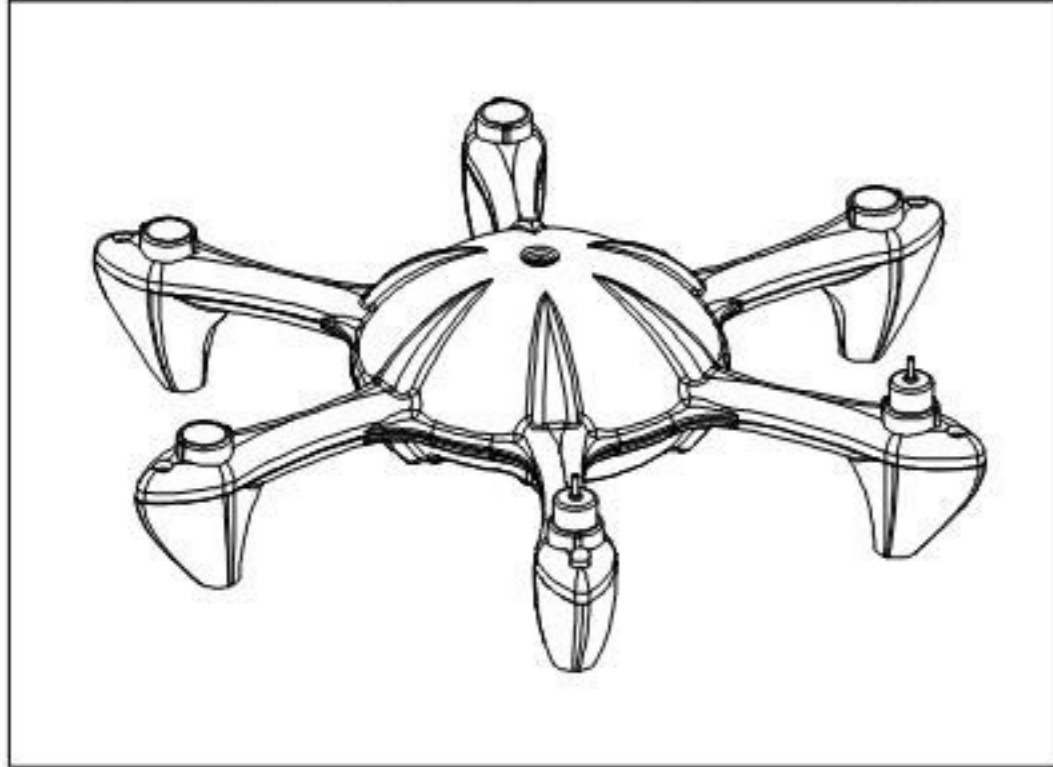
"H" mode



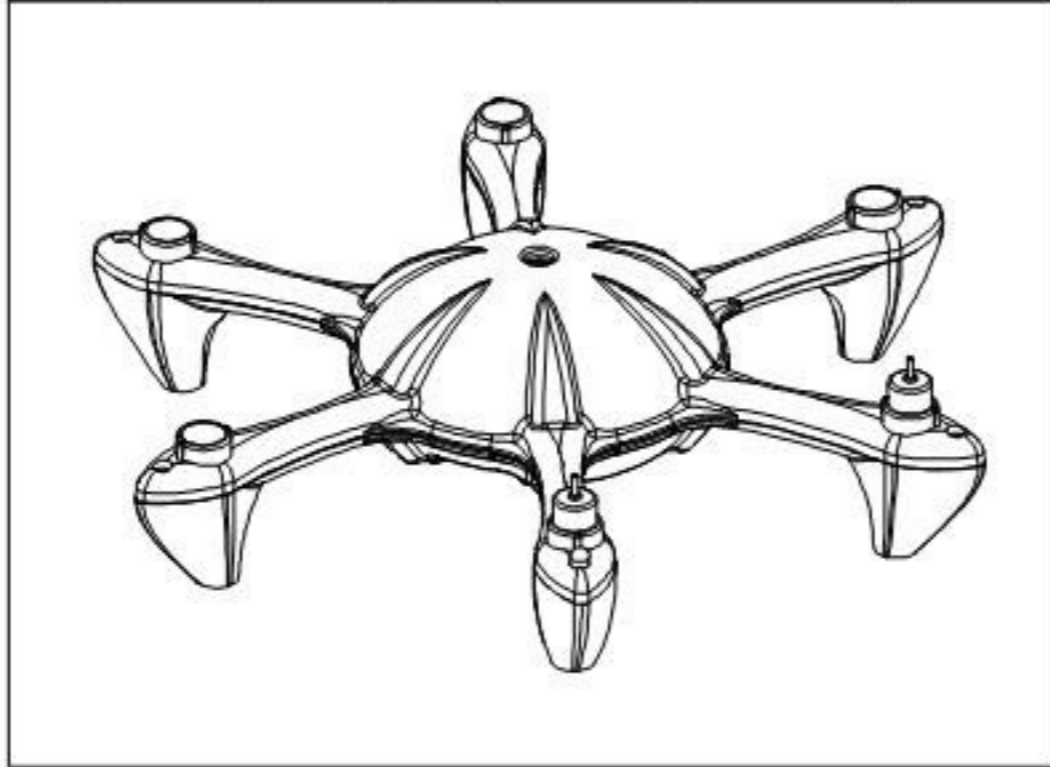


NO:	PART NAME	QTY
01	White blade(A)	1
02	White blade(B)	1
03	Black blade (A)	2
04	Black blade (B)	2
05	Protection cover	6
06	LED-white	4
07	LED- Blue	2
08	Upper Shell	1
09	Motor-A	3
10	Motor-B	3
11	RX	1
12	Screw	18
13	Screw	2
14	Lower shell	1
15	Rubber feet	6
16	Knob	2
17	Li-Po Battery	1
18	Battery cover	1
19	Camera Module	1

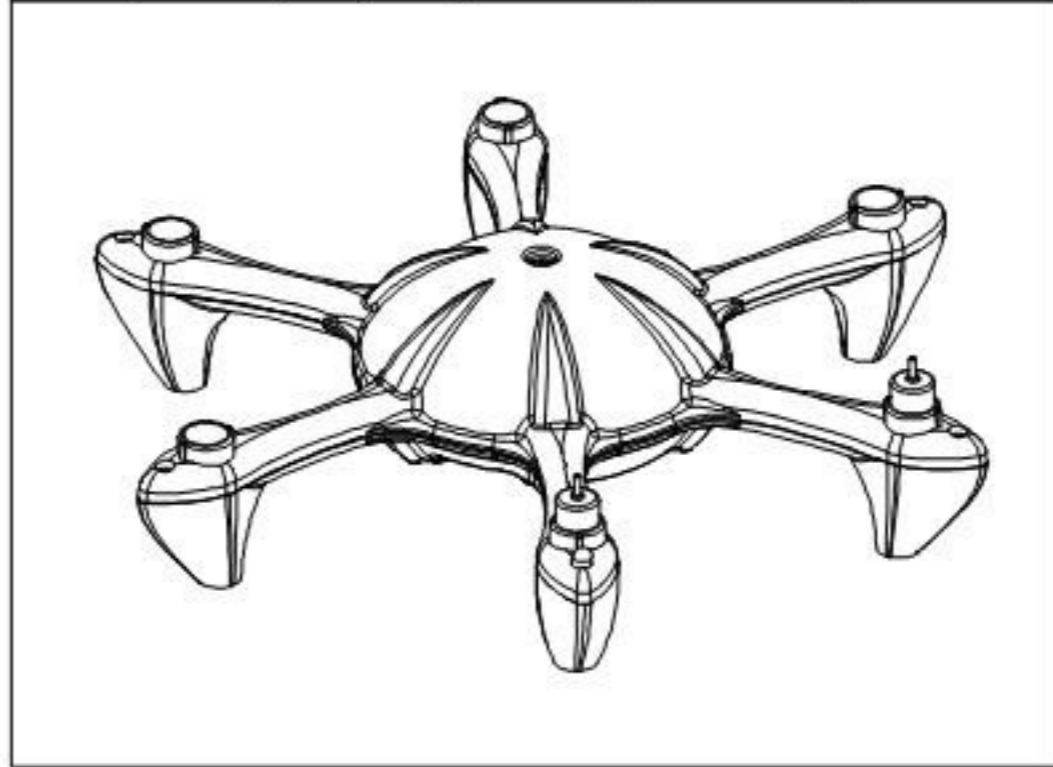
Model: X6-001 Package: Blister box
Product name: Body Shell (Jewelry blue) including the battery cover



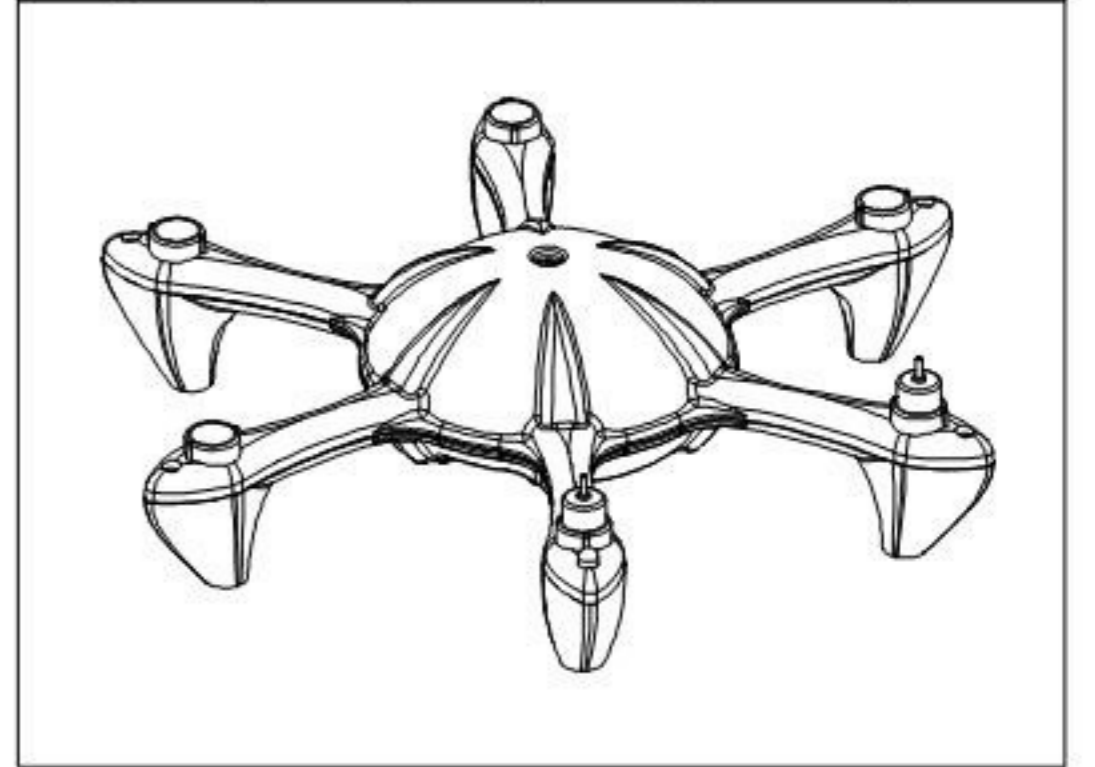
Model: X6-002 Package: Blister box
Product name: Body Shell (Luxury gold) including the battery cover



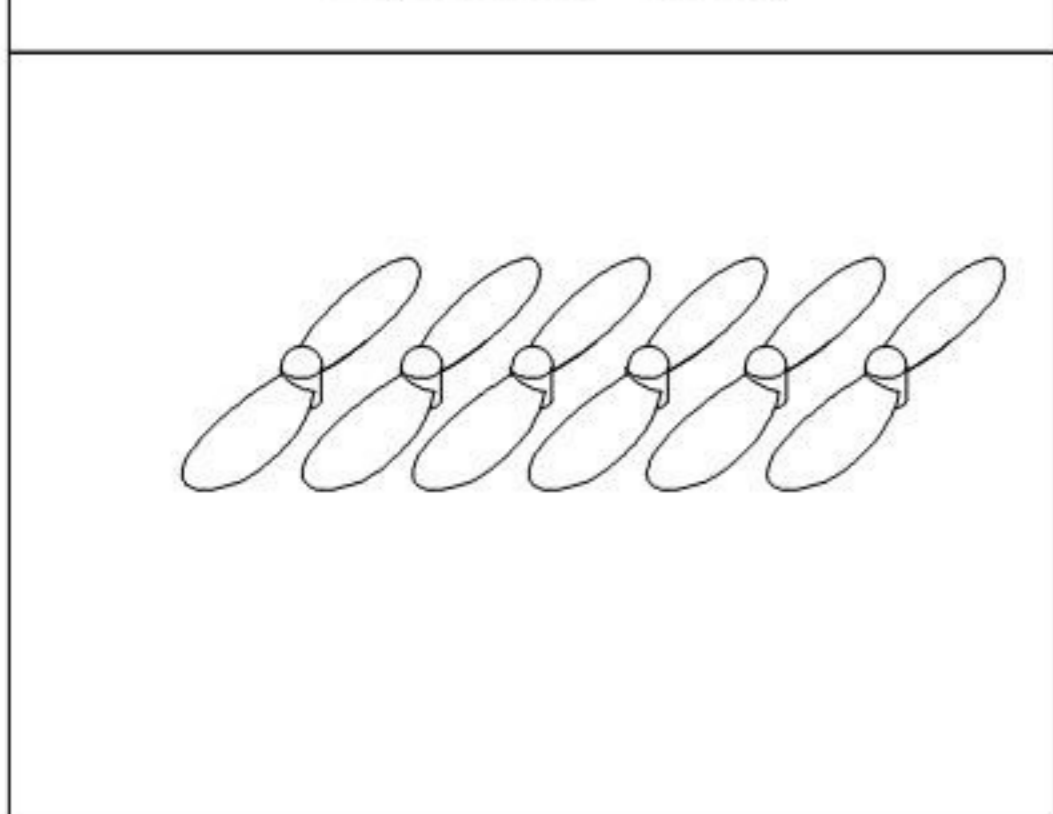
Model: X6-003 Package: Blister box
Product name: Body Shell (Ruby red) including the battery cover



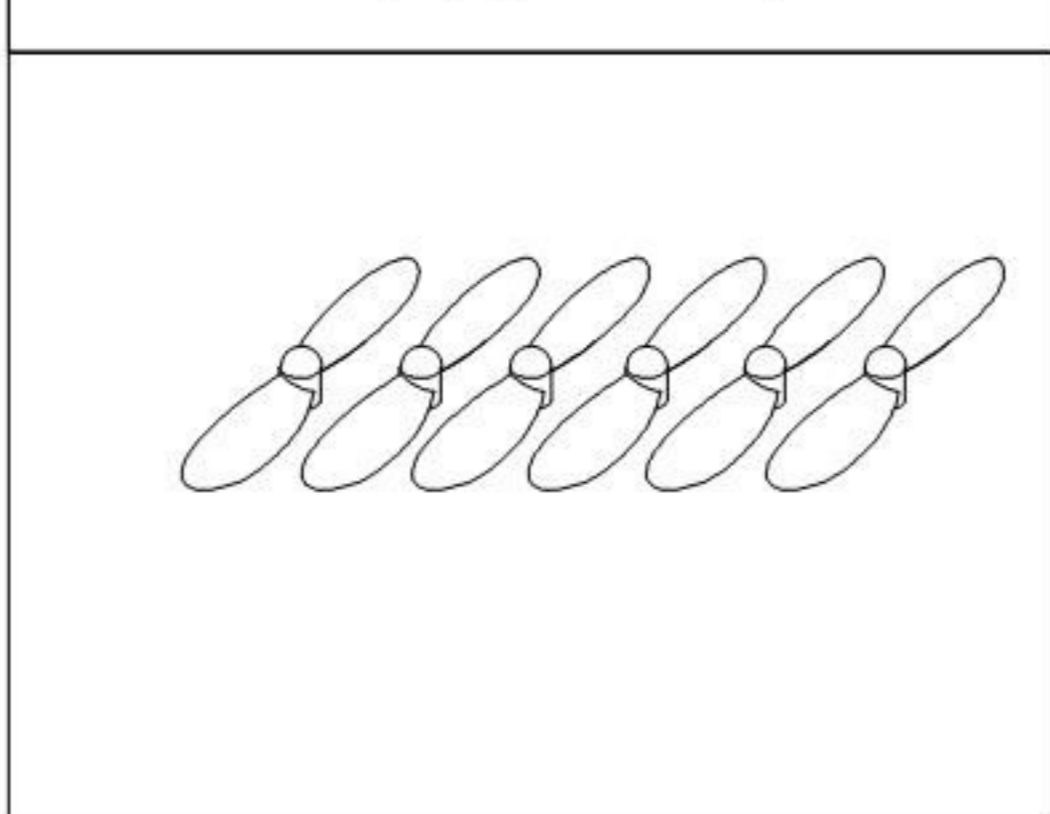
Model: X6-004 Package: Blister box
Product name: Body Shell (Golden yellow) including the battery cover



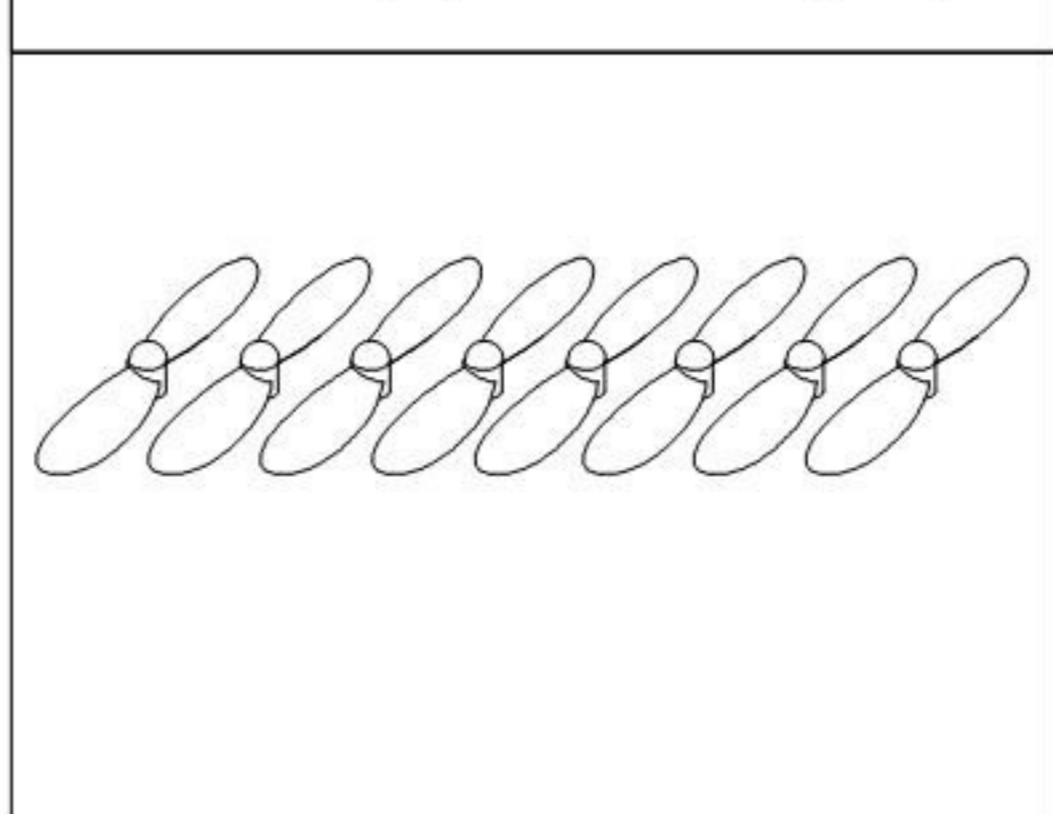
Model: X6-005 Package: Hang tag +PE bag
Product name: Props (2white +4black)



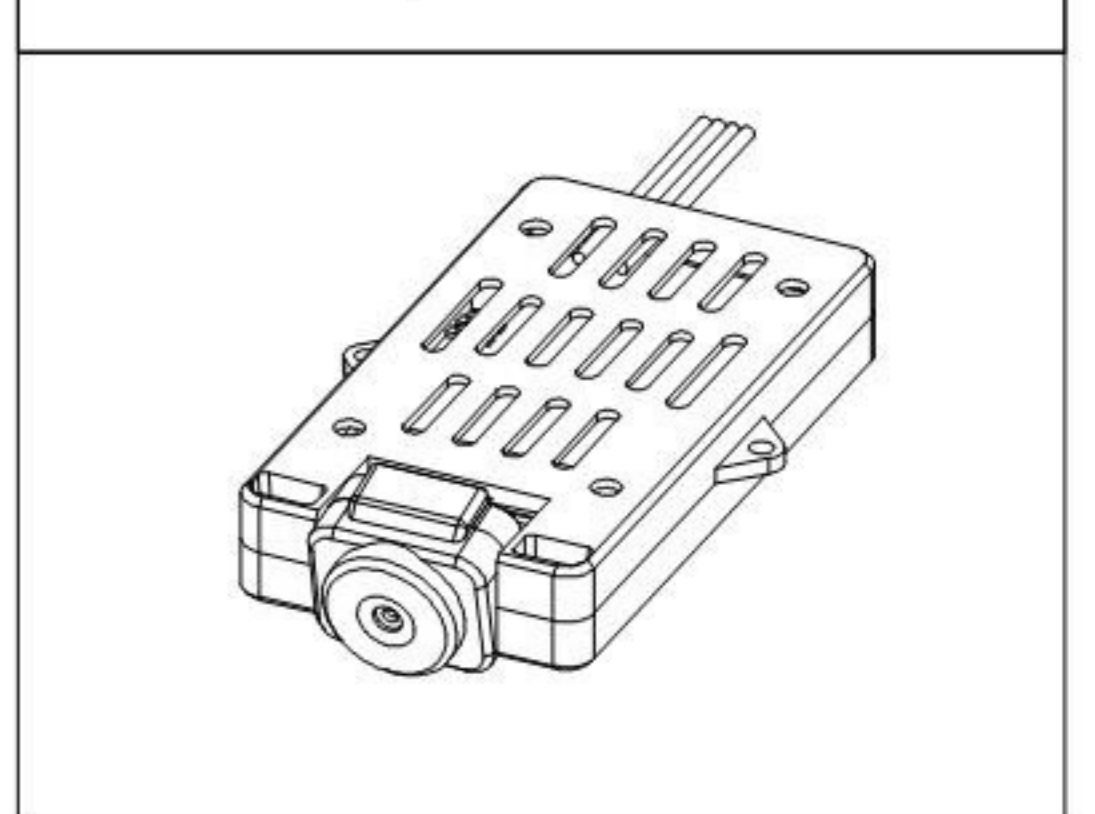
Model: X6-006 Package: Hang tag +PE bag
Product name: Props (2green +4black)



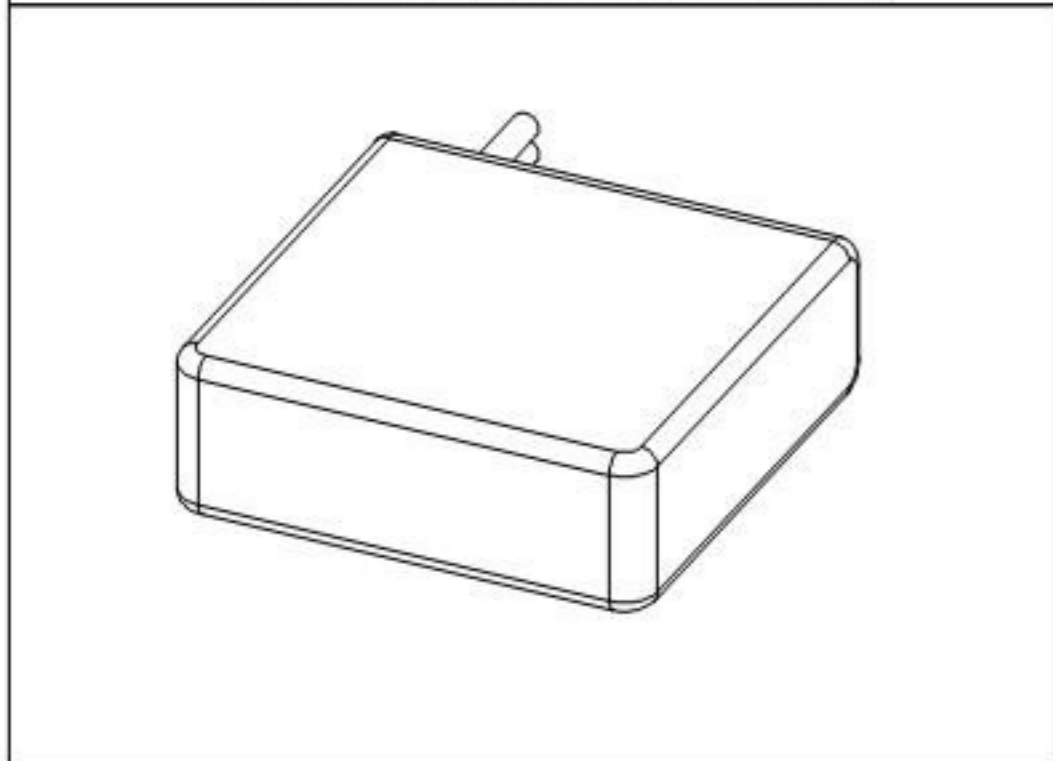
Model: X6-007 Package: Hang tag +PE bag
Product name: Props (2white +2black+2 green)



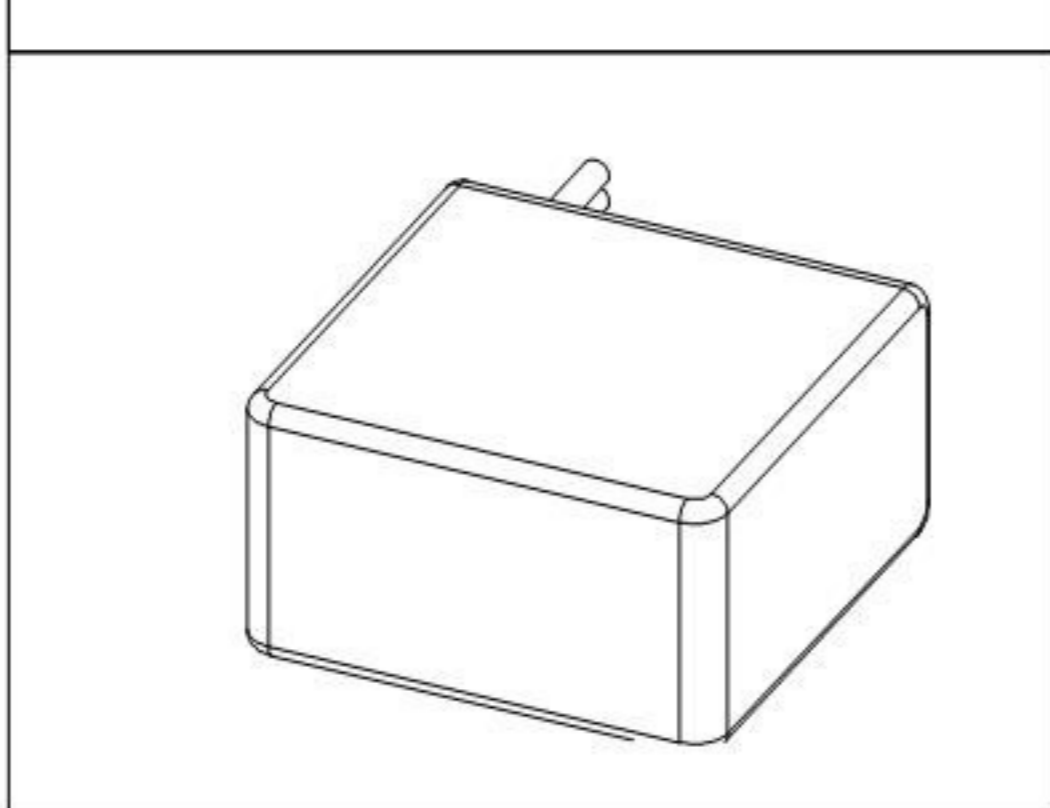
Model: X6-008 Package: Hang tag +PE bag
Product name: 2M pixels camera



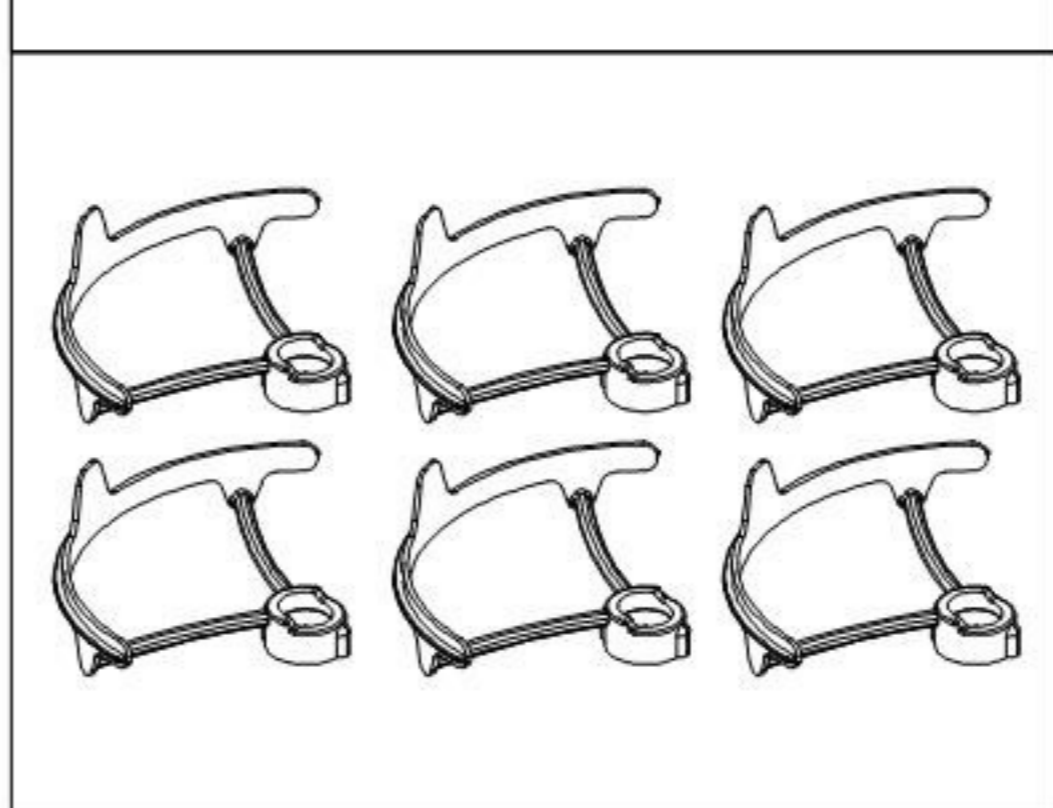
Model: X6-009 Package: Hang tag +PE bag
Product name: Li-Po Battery (3.7V 520mAh 25c)



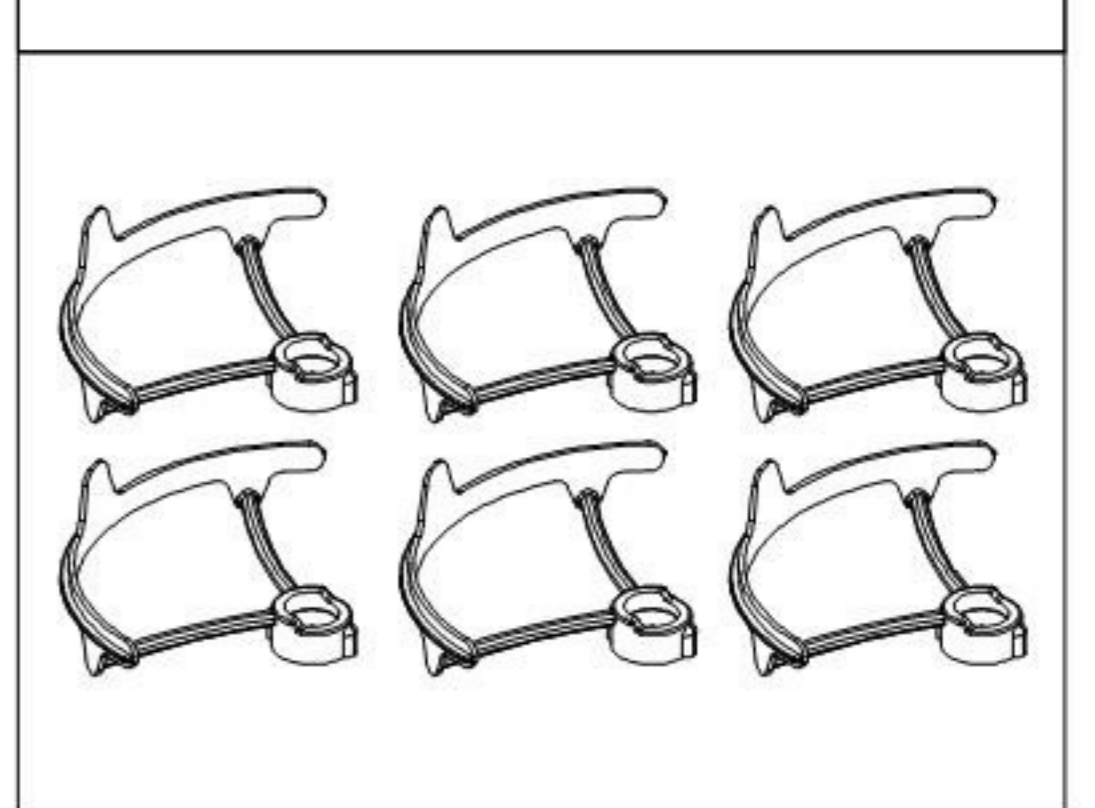
Model: X6-010 Package: Hang tag +PE bag
Product name: Li-Po Battery (3.7V 800mAh 25c)



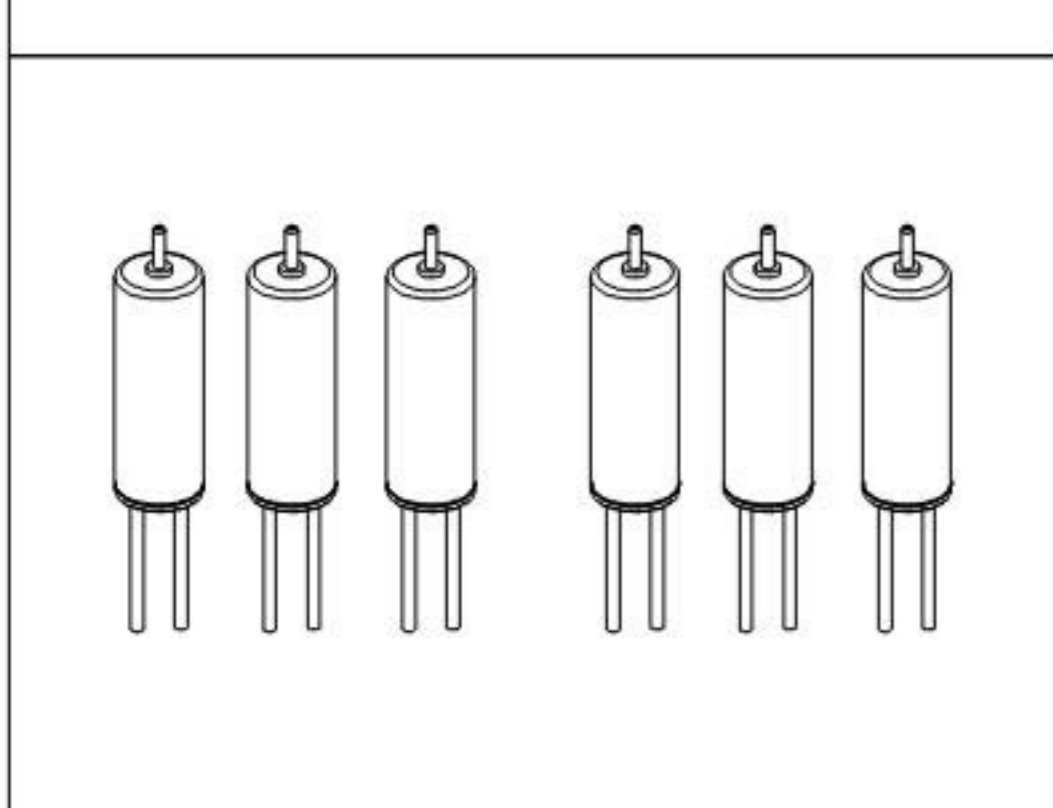
Model: X6-011 Package: Hang tag +PE bag
Product name: Protection covers (white)



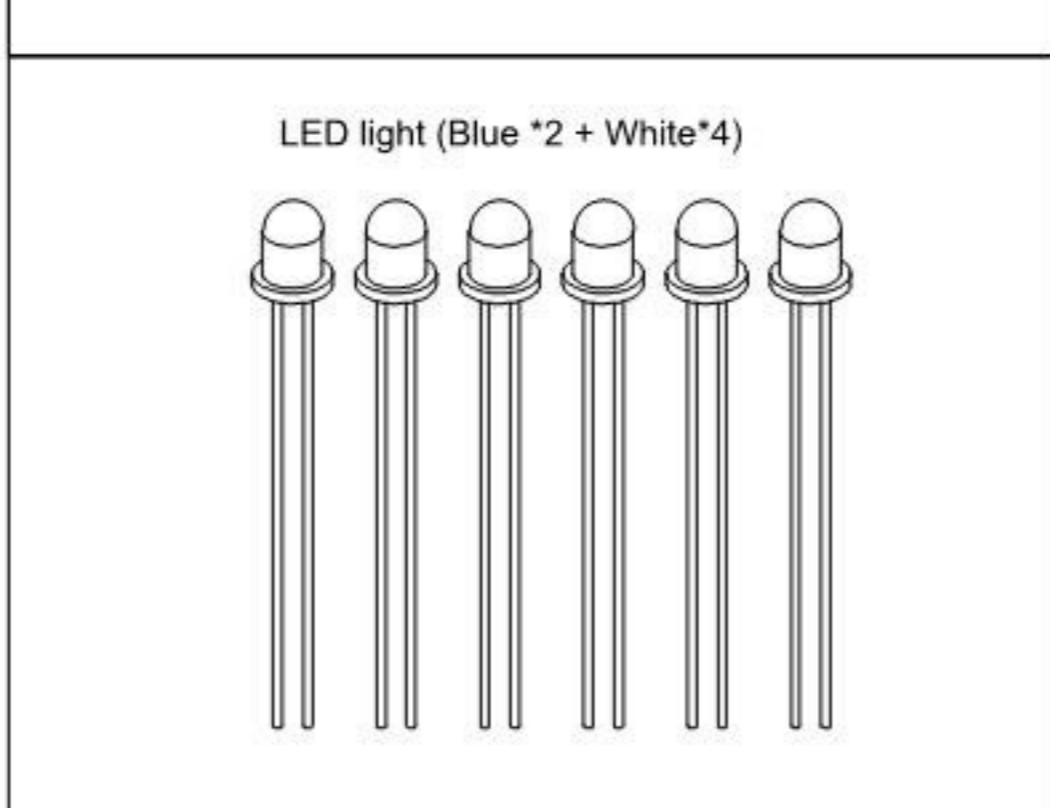
Model: X6-012 Package: Hang tag +PE bag
Product name: Protection covers (black)



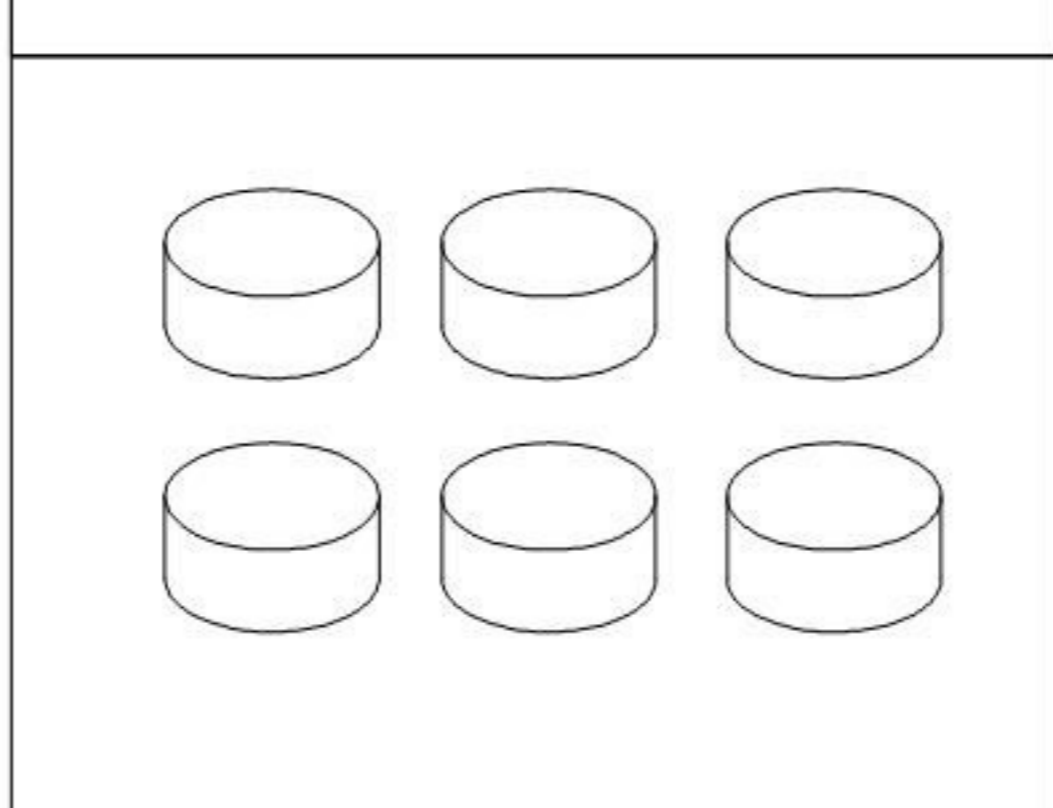
Model: X6-013 Package: Hang tag +PE bag
Product name: motor (forward *3 + reverse*3)



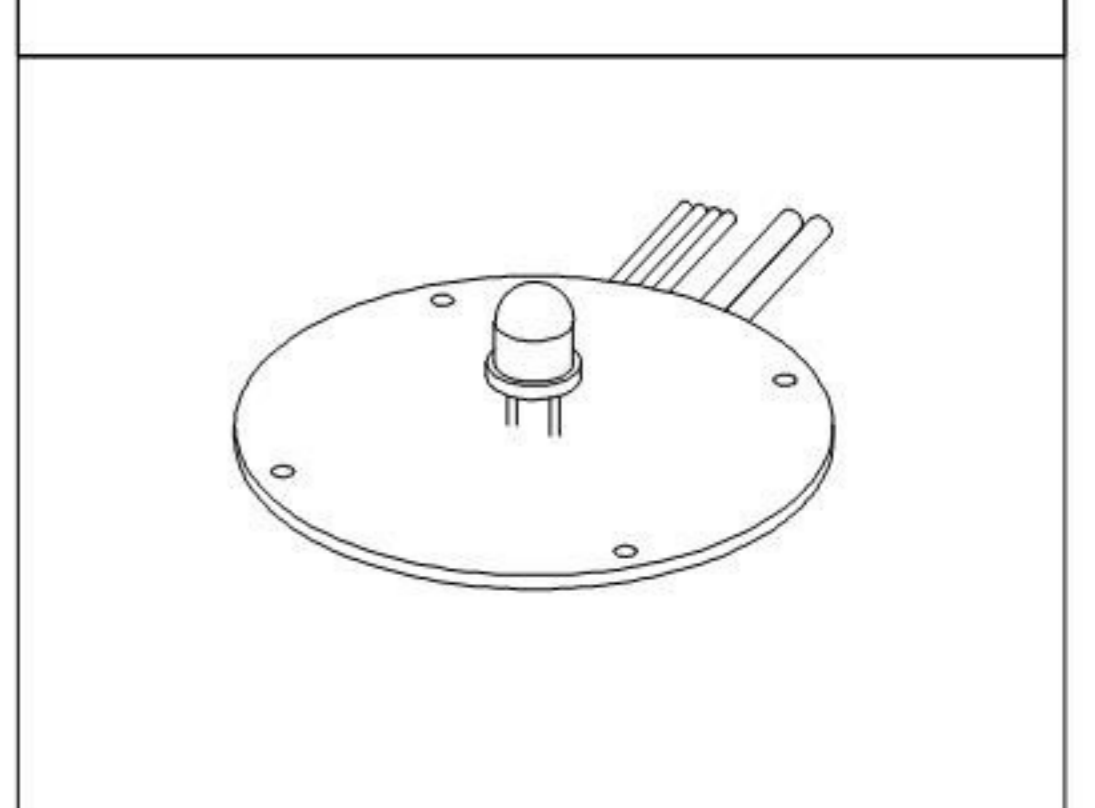
Model: X6-014 Package: Hang tag +PE bag
Product name: LED light (Blue *2 + White*4)



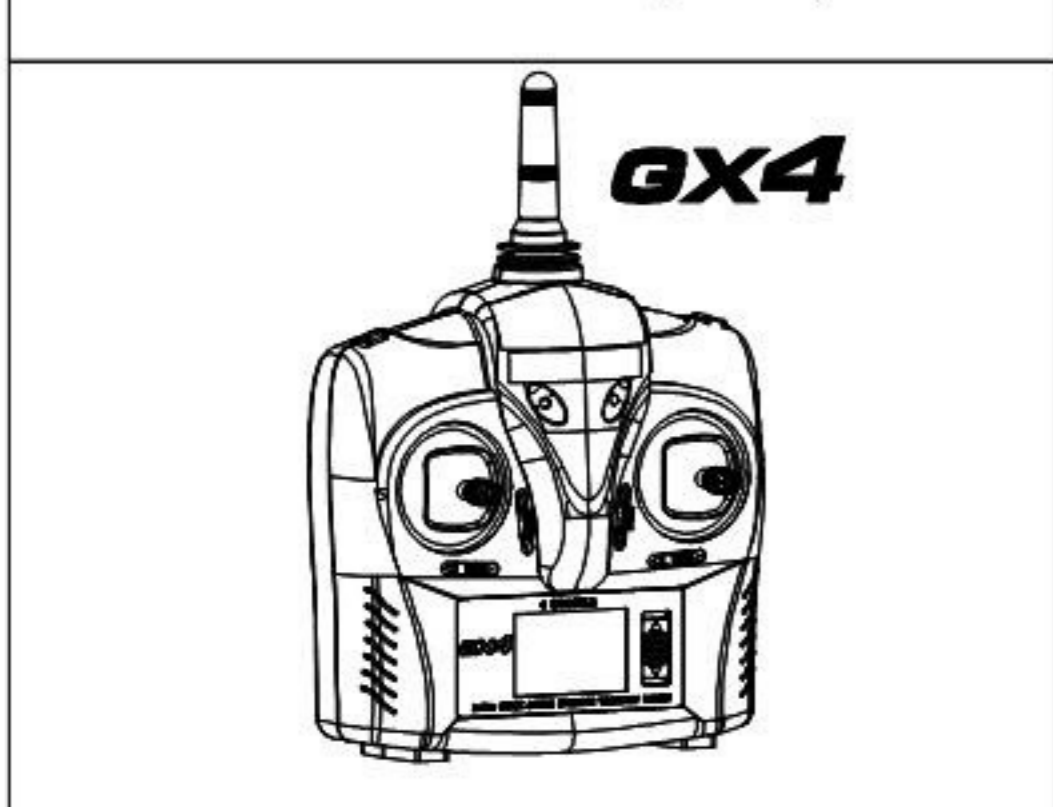
Model: X6-015 Package: Hang tag +PE bag
Product name: Rubber feet



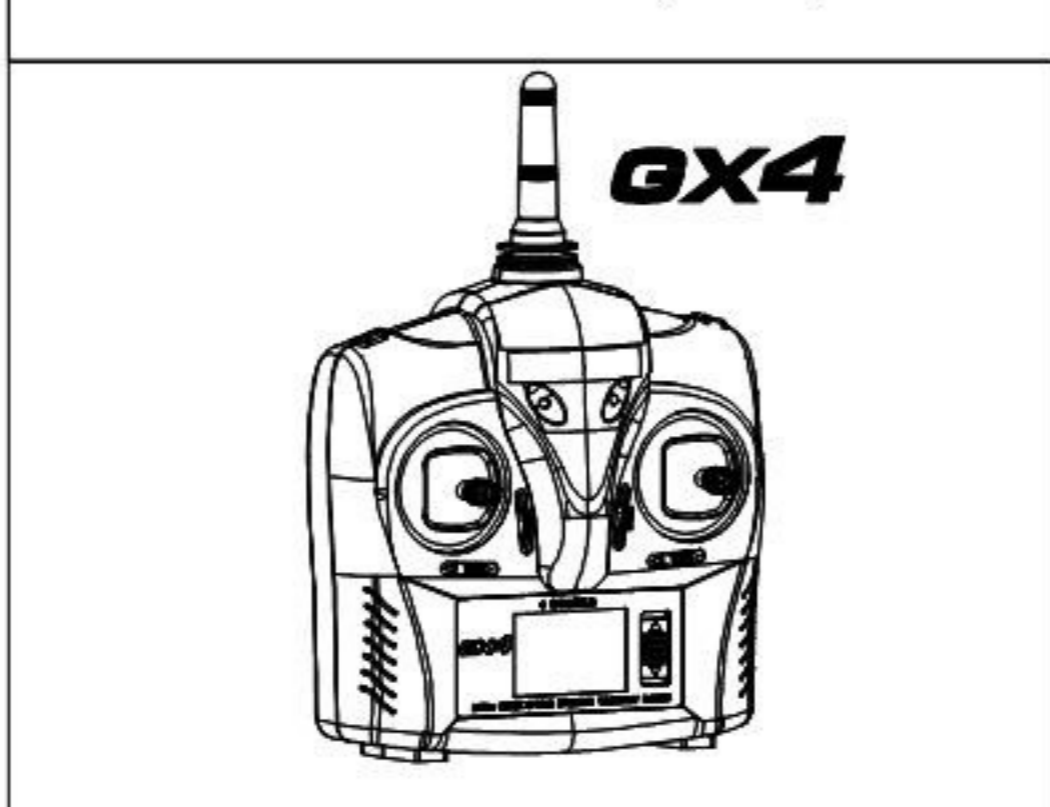
Model: X6-016 Package: Blister box
Product name: X6 RX



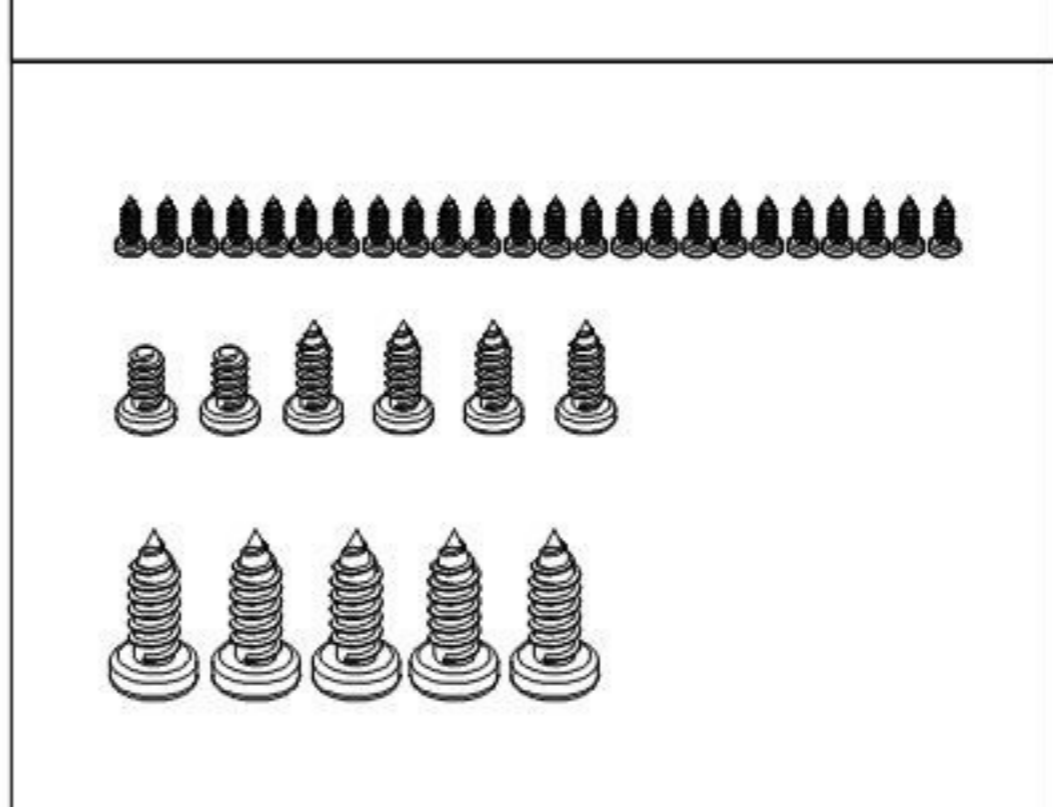
Model: X6-017 Package: Blister box
Product name: GX4 transmitter (mode 1)



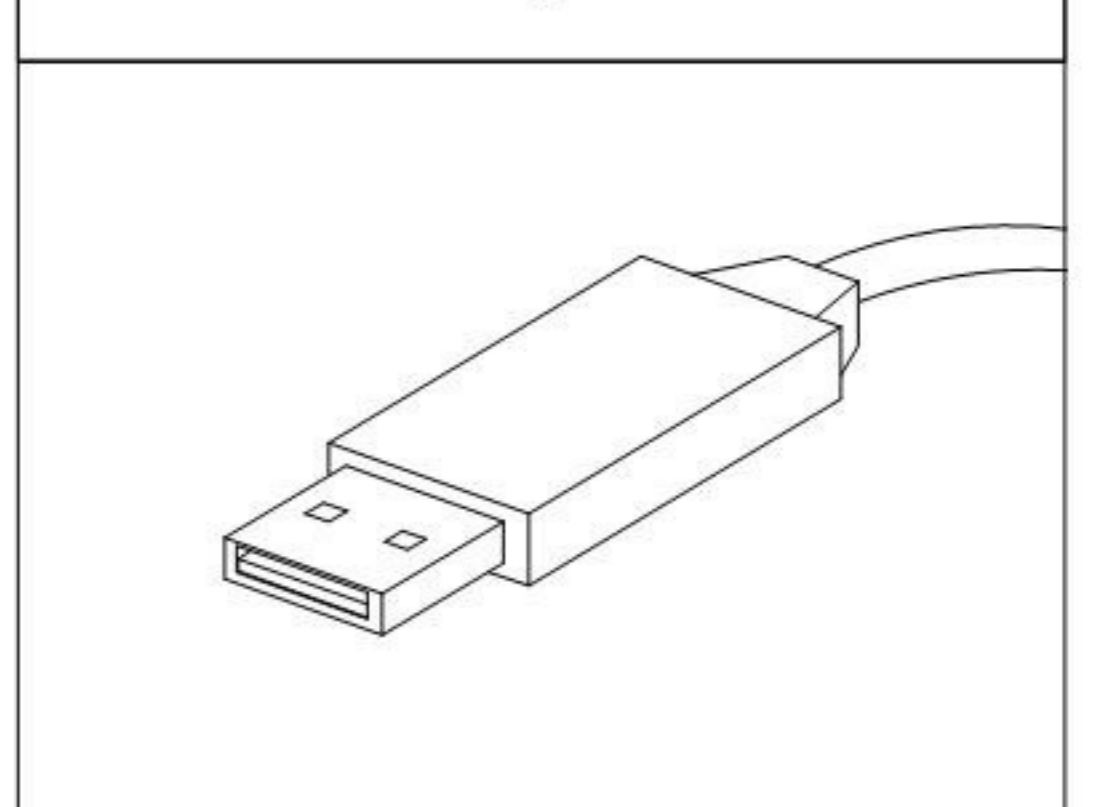
Model: X6-018 Package: Blister box
Product name: GX4 transmitter (mode 2)



Model: X6-019 Package: Hang tag +PE bag
Product name: Screw Set



Model: X6-020 Package: Hang tag +PE bag
Product name: USB Charger

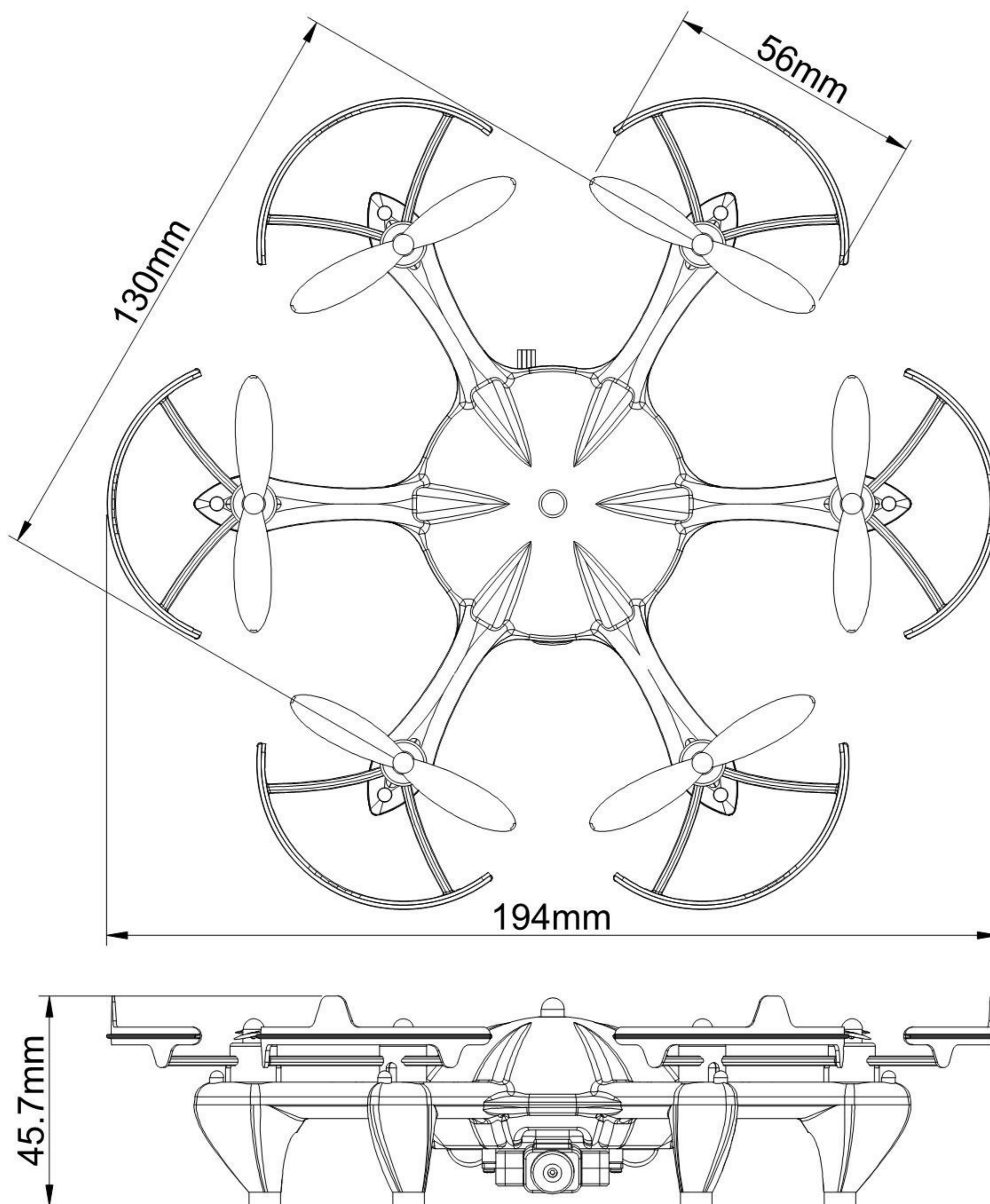


Parameter

- ✓ Product Name: EACHINE-X6
- ✓ Visual camera: 2M pixels
- ✓ Set remote control distance: 200 meters
- ✓ Body Battery: 3.7V 550mAh Li-Po BATTERY
- ✓ Flight time: 10-12 minutes
- ✓ Charging time: 60 minutes
- ✓ Plugs types: USB (Computer, IPad etc.)
- ✓ Remote control frequency: 2.4GHz
- ✓ Control channels: 4 channel
- ✓ Weight: 60g

Features

- ✓ 6-axis gyro flight control system
- ✓ With photo and video function
- ✓ Protection cover is removable
- ✓ Camera angle can be adjusted to -45° to 45°
- ✓ Do the 360° flip with one click .
- ✓ Up to 12 minutes flight time.





TEACHING MACHINE-X6

© 2014